

SO-120-0.8-4.0



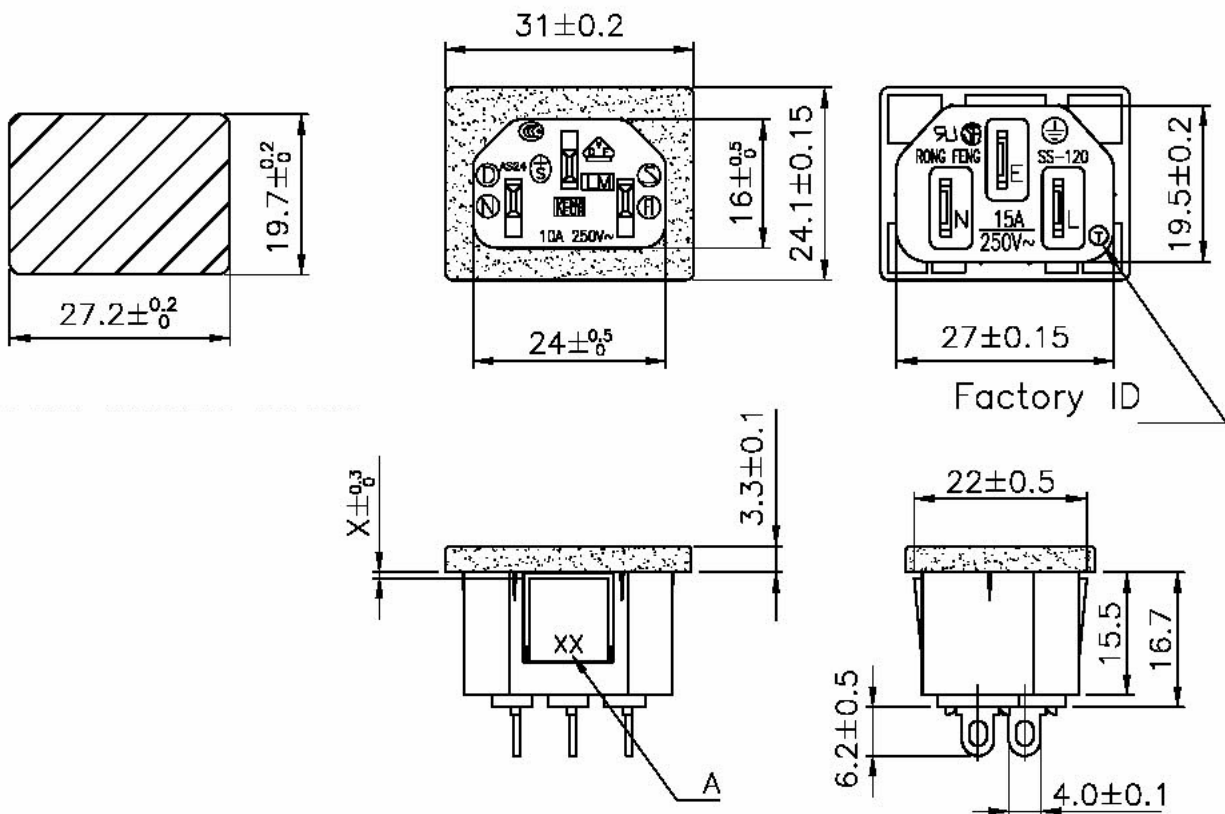
Standard: IEC 320 C14
Rating: 15A 250V AC
Approvals: UL / CSA

Rating: 10A 250V AC
Approvals: VDE / KEMA / SEV / DEMKO / NEMKO
 SEMKO / FIMKO / CCEE

TERMINAL MODEL

6.3	
4.8	
4.0	
2.8	

Dimensions:



Megatone Electronics Corp.

Tel: +886-2-2951-0821 / Fax: +886-2-2593-1849

Email: orders@MegatoneCorp.com / mega.powe@msa.hinet.net