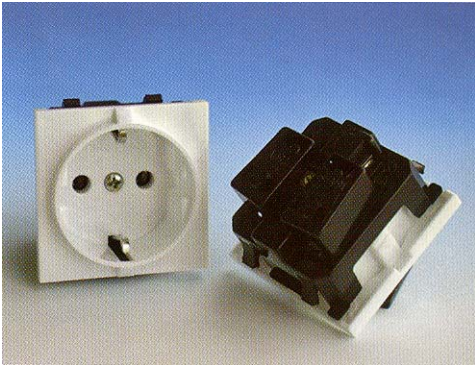


SO-E-08

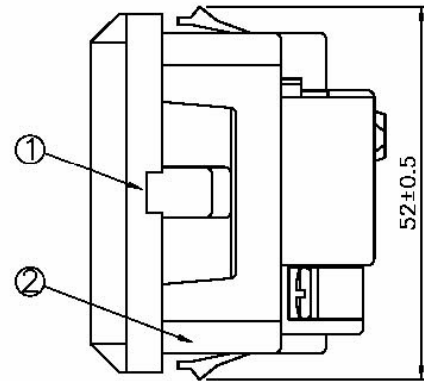
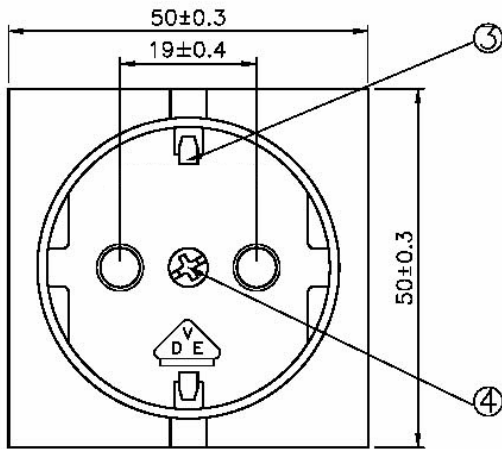
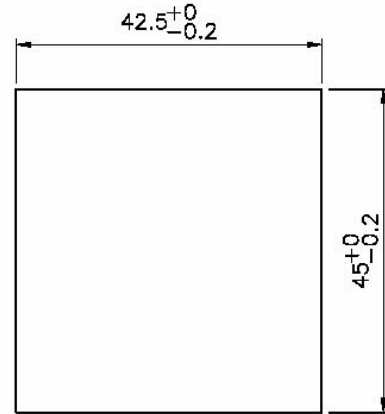
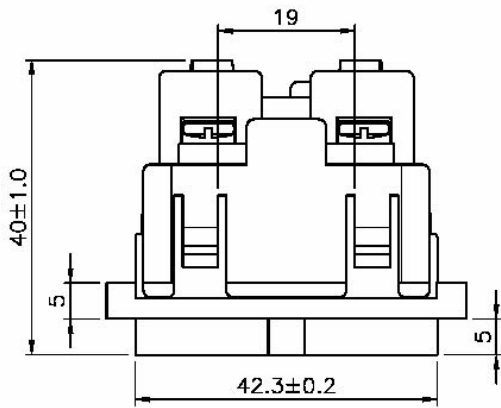


Standard: IEC 884-2-2

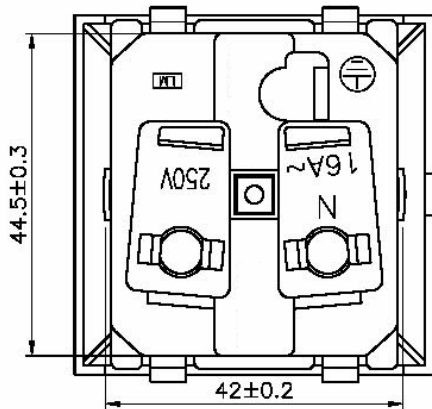
Rating: 16A 250V AC

Approvals: VDE / NEMKO / SEMKO

Dimensions:



Rating: 16A 250V AC
 Approvals: VDE



PART No.	Cover Color	Body Color	Grounding Pin Plating
S0-E-08	White	Black	Ni
S0-E-08-A	Black	Black	Ni
S0-E-08-I	Cambridge blue (2707C)	Black	Aurum