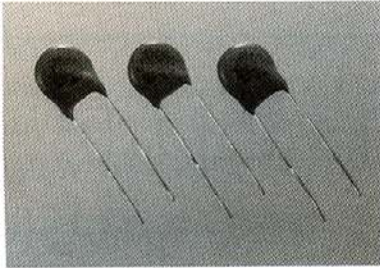




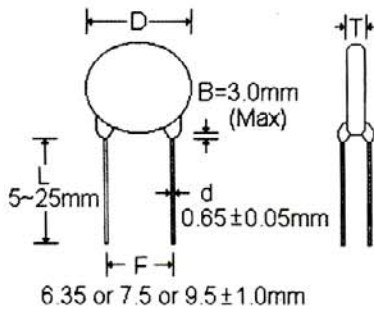
Ceramic Capacitor

MEY Type



INTRODUCTION

1. IDEAL FOR ACROSS THE LINE APPLICATIONS.
2. COMPACT SIZE.
3. COST EFFECTIVE PRODUCT.
4. SAFETY STANDARDS RECOGNIZED FOR AC APPLICATIONS.
5. SAFETY APPROVED:



SPECIFICATION:

1. OPERATING TEMPERATURE: $-25^{\circ}\text{C} \sim +85^{\circ}\text{C}$
2. CAPACITANCE RANGE : 100pF TO 10000pF
3. CAPACITANCE TOLERANCE : K=±10%, M=±20%, Z=+80%
-20%
4. RATED VOLTAGE : 125, 250 AND 400VAC.
5. TEMPERATURE COEFFICIE : ±10% FOR B (Y5P), +30 TO -80% FOR F (Y5V)
6. DISSIPATION FACTOR : Y5P: 2.5% MAX, AT 25°C AND 1KHZ, $1 \pm 0.2V_{rms}$.
Y5V: 5.0% MAX. AT 25°C AND 1KHZ, $1 \pm 0.2V_{rms}$.
7. INSULATION RESISTANCE : $>10000M\Omega$ AT 500VDC FOR 1 MINUTE.

Unit:mm

PART NUMBER	T.C.	CAPACITANCE	TOLERANCE	DIMENSION(mm)		
				D (Max)	F	T (Max)
JY101KY5PAC400	±10% (Y5P)	100PF	K ±10%	8	7.5±1	6
JY151KY5PAC400		150PF		8	7.5±1	6
JY221KY5PAC400		220PF		8	7.5±1	6
JY331KY5PAC400		330PF		8	7.5±1	6
JY471KY5PAC400		470PF		8	7.5±1	6
JY561KY5PAC400		560PF		10	7.5±1	6
JY681KY5PAC400		680PF		10	7.5±1	6
JY102KY5PAC400		1000PF		12	7.5±1	6
JY102MY5VAC400		+ 30~ -80% (Y5V)		1000PF	M ±20%	10
JY152MY5VAC400	1500PF		10	7.5±1		6
JY222MY5VAC400	2200PF		12	7.5±1		6
JY332MY5VAC400	3300PF		14	9.5±1		6
JY392MY5VAC400	3900PF		16	9.5±1		6
JY472MY5VAC400	4700PF		16	9.5±1		6
JY682MY5VAC400	6800PF		16	9.5±1		6
JY822MY5VAC400	8200PF		16	9.5±1		6
JY103MY5VAC400	10000PF		18	9.5±1		6