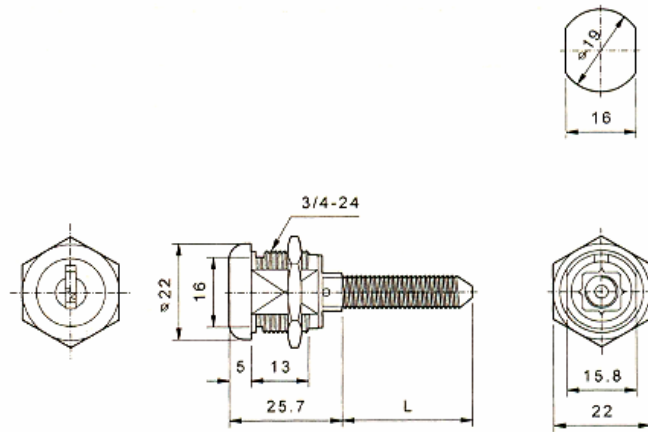
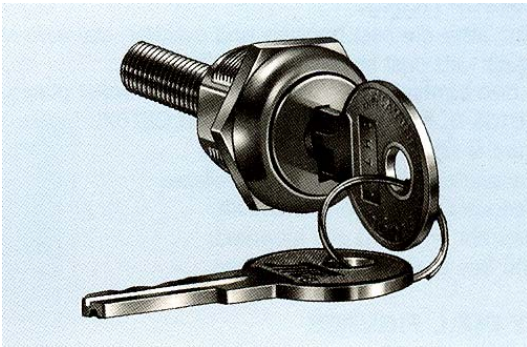


## LKVT950

Unit: mm

HOLE SIZE



### Descriptions:

- Zinc alloy die cast housing and cylinder.
- 5 disc tumbler mechanism, brass key nickel plated.
- Bright chrome finish standard, other finishes available on request.
- Four key pulls every 90° degrees is standard, two key pulls 180° degrees is also available on request.
- 'L' dimension per requirement.
- Thread size and dimension per requirement.
- 200 key combinations

### Key-Pull Figures:

I-Indicates Key-Pull

•-Indicates No Key-Pull

Fig. No.	Lock Number	Positions	Key Pulls	Turn
 1	LKVT650-2	2	2	180°
 2	LKVT650-4	4	4	360°