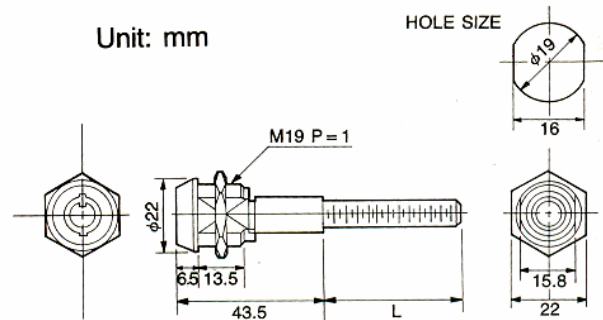
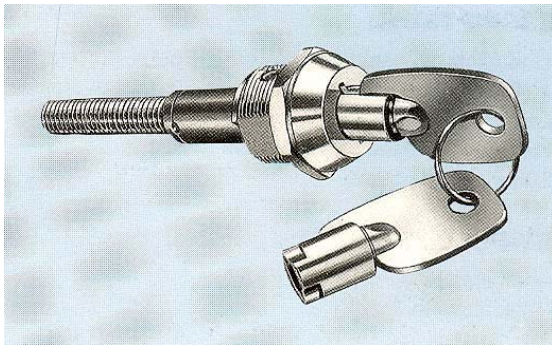


LKVT510





Descriptions:

- Brass housing and cylinder chrome plated.
- Four key pulls every 90 degrees is standard, two key pulls 180 degrees is also available on request.
- "L" dimension per requirement.
- Thread size and dimension per requirement.
- 50000 combination available.

Key-Pull Figures:

- | -Indicates key-pull
- -Indicates No Key-Pull

Fig. No.	Lock Number	Position	Key Pulls	Turn
	LKVT510-1	1	1	360
	LKVT510-4	4	4	360