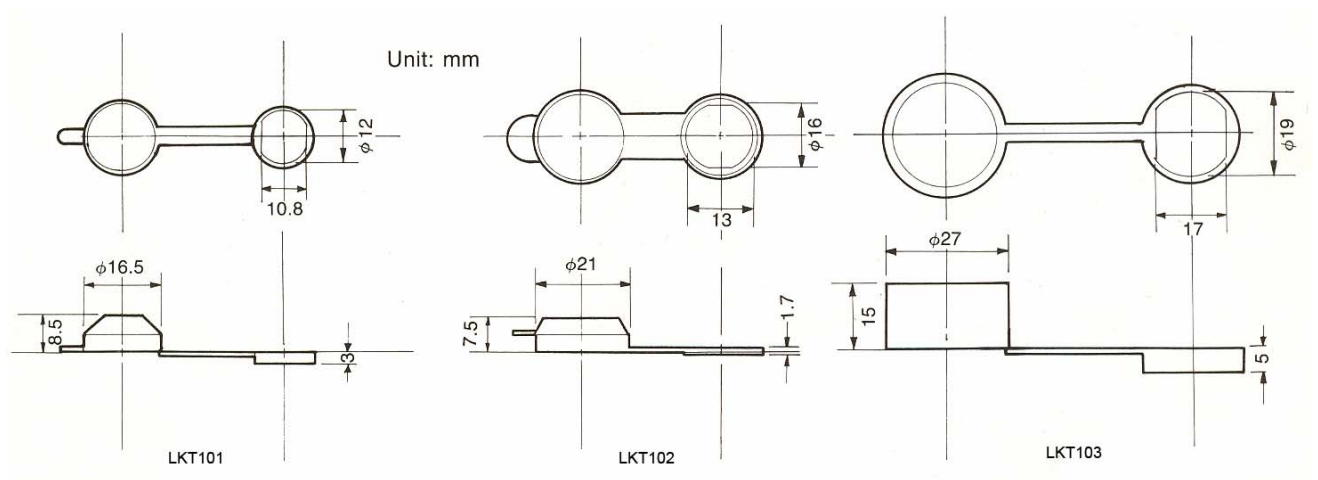


LKT101, LKT102, LKT103



Descriptions:

- LKT101 Rubber cap
- Used for: LKS102, LKS105, LKS106, LKS109B, LKS1091B, LKC520 and other similar items.
- LKT102 Plastic cap
- Used for: LKS332, LKS333, LKS314, LKS316 and other similar items.
- LKT103 Rubber cap
- Used for: LKS202, LKS206, LKS206, LKS286, LKS246, LKC510 and other similar items.