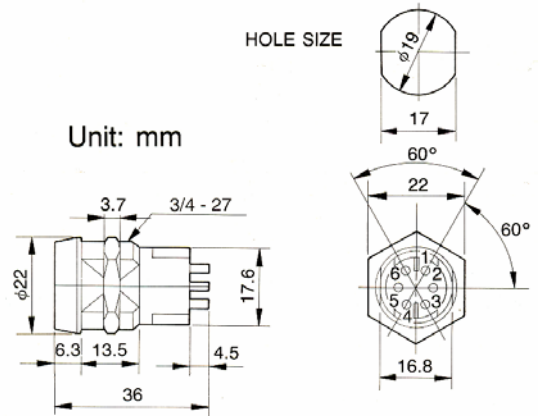
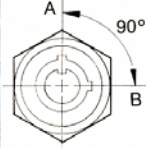
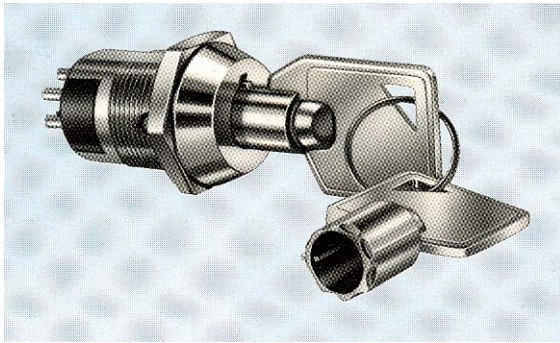


LKS506



Descriptions:

- Zinc alloy die cast housing and cylinder chrome plated.
- Steel made tubular keys, nickel plated.
- Silver plated contacts and terminals.
- 2 Positions 6 Terminals (DPDT)
- A Position 2-3 On, 5-6 On.
- B Position 2-1 On, 5-4 On.
- 50000 combinations available.

Specifications:

- Contact Rating: 3A 125VAC, 1.5A 250VAC.
- Contact Resistance: 10 milli-Ohms Max.
- Insulation Resistance: 500 Meg-Ohms Min. (500 VDC)
- Dielectric Strength: 1500 VAC-1 Minute.

Key-Pull Figures:

- o-Off Position
- I-Indicates key-Pull
- Indicates No Key-Pull

Fig. No.	Lock Number	Pole	Positions	Terminals	Key Pulls	Turn	⊕	⊖	Type
1	LKS506-1	2	2	6	1	90	On (2-3, 5-6)	On (2-1, 5-4)	DPDT
2	LKS506-2	2	2	6	2	90	(2-3, 5-6)	(2-1, 5-4)	DPDT

Megatone Electronics Corp.

Tel: +886-2-2951-0821 / Fax: +886-2-2593-1849

Email: orders@MegatoneCorp.com / mega.powe@msa.hinet.net