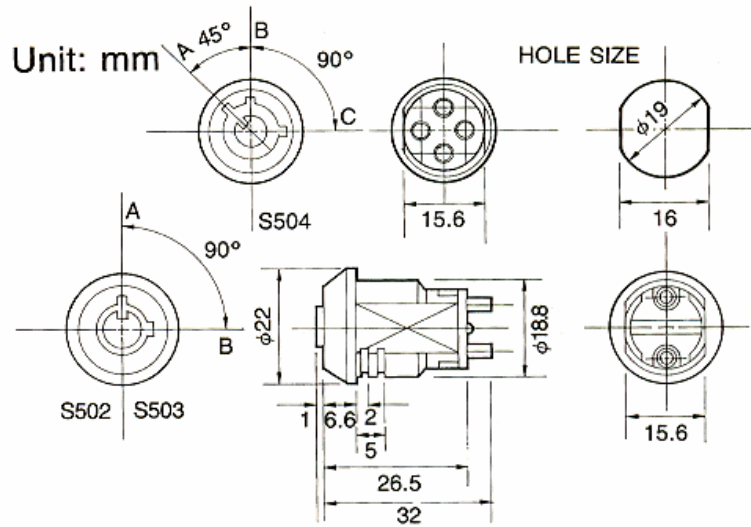
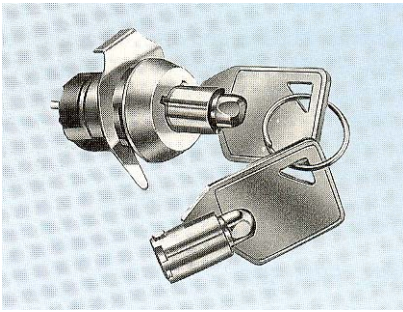


LKS502, LKS503, LKS504



Descriptions:

- Zinc alloy die cast housing and cylinder, satin chrome plated.
- Steel made tubular keys, nickel plated.
- Silver plated Contacts and terminals
- LKS502-2 2 Positions (off-on) 2 Terminals.
- LKS502-2A 2 Positions (on-off) 2 Terminals.
- LKS503 2 Positions (on-on) 4 Terminals.
- LKS504 3 Positions (off-on-on) 4 Terminals.
- 50000 combinations available.

Specifications:

- Contact Rating: 2A 125VAC, 1A 250VAC.
- Contact Resistance: 10 milli-Ohms Max.
- Insulation Resistance: 200 Meg-Ohms Min. (500 VDC).
- Dielectric Strength: 1000 VAC-1 Minute.

Key-Pull Figures:

- Off Position
- I -Indicates Key-Pull
- Indicates No Key-Pull

Fig. No.	Lock Number	Pole	Positions	Terminals	Key Pulls	Turn	⊘	⊕	⊖	Type
1	LKS502-2	1	2	2	2	90°		Off	On	SPST
2	LKS502-2A	1	2	2	2	90°		On	Off	SPST



Megatone Electronics Corp.

Tel: +886-2-2951-0821 / Fax: +886-2-2593-1849

Email: orders@MegatoneCorp.com / mega.powe@msa.hinet.net

MEGATONE

Locks

 3	LKS503	1	2	4	2	90°		On	On	SPDT
 4	LKS504	1	3	4	3	45°-0°-90°	Off	On	On	SPDT

Megatone Electronics Corp.

Tel: +886-2-2951-0821 / Fax: +886-2-2593-1849

Email: orders@MegatoneCorp.com / mega.powe@msa.hinet.net