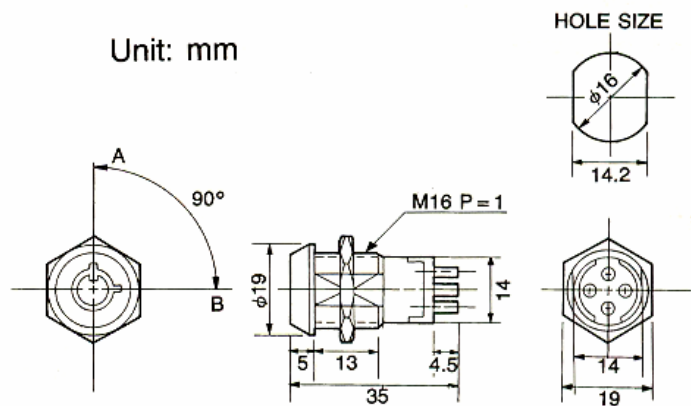
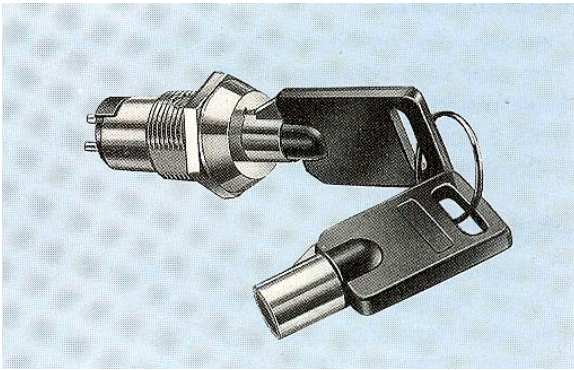


LKS314



Descriptions:

- Zinc alloy die cast housing and cylinder, chrome plated.
- Zinc alloy keys, chrome plated, with plastic cover.
- Silver plated contacts and terminals.
- LKS314 2 Positions (on-on) 4 Terminals. (SPDT)
- 10000 combinations available.

Specifications:

- Contact Rating: 3A 125VAC, 1.5A 250VAC
- Contact Resistance: 10 milli-Ohms Max.
- Insulation Resistance: 200 meg-Ohms Min. (500 VDC)
- Dielectric Strength: 1000 VAC-1 Minute.

Key-Pull Figures:

- Off position
- I-Indicates Key-Pull
- Indicates No Key-Pull

Fig. No.	Lock Number	Pole	Positions	Terminals	Key Pulls	Turn	⊕	⊖	Type
1	LKS314-1	1	2	4	1	90	On	On	SPDT
2	LKS314-2	1	2	4	2	90	On	On	SPDT

Megatone Electronics Corp.

Tel: +886-2-2951-0821 / Fax: +886-2-2593-1849

Email: orders@MegatoneCorp.com / mega.powe@msa.hinet.net