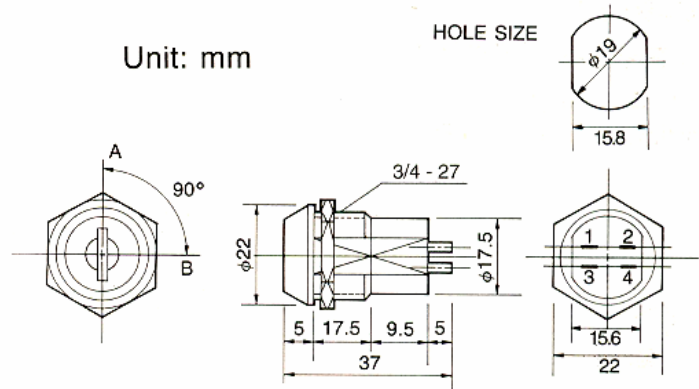
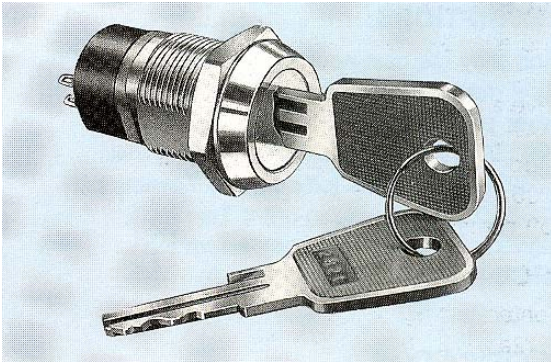


LKS286A, LKS286B



Descriptions:

- Zinc alloy die cast housing and cylinder, chrome plated.
- 5-Disk tumblers mechanism.
- Reversible double cut key brass made nickel plated.
- Silver plated contacts and terminals.
- LKS286A 2 Positions (off-on) 4 Terminals (2NO. 2NC).
- LKS286B 2 Positions (on-on) 4 Terminals (1NO. 1NC).
- 150 combinations available.

Specifications:

- Contact Rating: 4A 125VAC, 2A 250VAC.
- Contact Resistance: 10 milli-Ohms Max.
- Insulation Resistance: 500 Meg-Ohms Min. (500 VDC).
- Dielectric Strength: 1500 VAC-1 Minute.

Key-Pull Figures:

- - Off Position
- I - Indicates Key-Pull
- - Indicates No Key-Pull

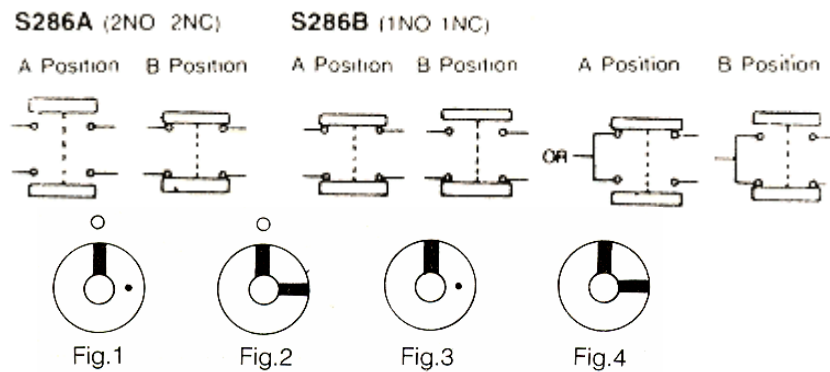


Fig. No.	Lock Number	Pole	Positions	Terminals	Key Pulls	Turn	⊕	⊖	Type
1	LKS286A-1	2	2	4	1	90°	Off	On	DPST
2	LKS286A-2	2	2	4	2	90°	Off	On	DPST
3	LKS286B-1	1	2	4	1	90°	On	On	SPDT
4	LKS286B-2	1	2	4	2	90°	On	On	SPDT

Megatone Electronics Corp.

Tel: +886-2-2951-0821 / Fax: +886-2-2593-1849

Email: orders@MegatoneCorp.com / mega.powe@msa.hinet.net