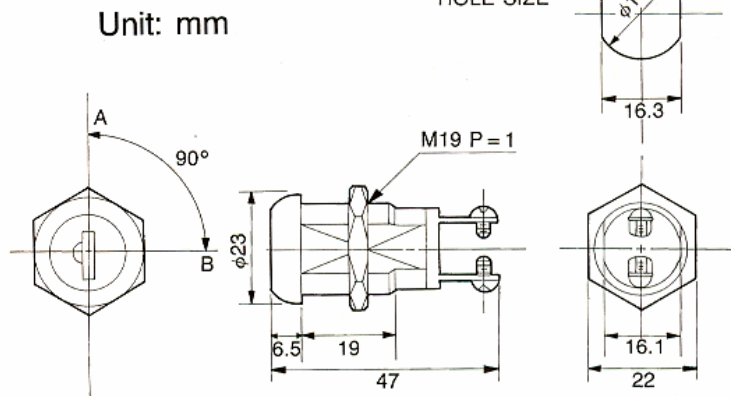
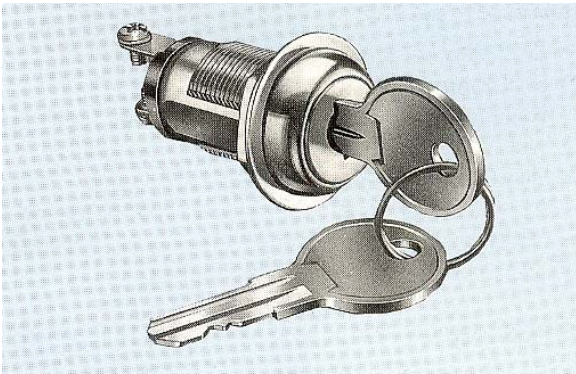


## LKS276



### Descriptions:

- Zinc alloy die cast housing with bright stainless steel bezel.
- 5-Disk tumblers mechanism with dust shutter.
- LKS276 2 Positions, 2 Terminals. MAINTAINING CONTACT SCREW TERMINAL.
- LKS276M 2 Position, 2 Terminals. MOMENTARY CONTACT SCREW TERMINAL.
- Used for: Alarms, security systems, cares, garages etc.
- 150 combinations available.

### Specification:

- Contact Rating: 4A 125VAC, 2A 250VAC.
- Contact Resistance: 10 milli-Ohms Max.
- Insulation Resistance: 500 Meg-Ohms Min. (500 VDC).
- Dielectric Strength: 1500 VAC-1 Minute.

### Key-Pull Figures:

- Off Position
- I-Indicates Key-Pull
- Indicates No Key-Pull

Fig. No.	Lock Number	Pole	Positions	Terminals	Key Pulls	Turn	⤴	⤵	Type
1	LKS276-2	1	2	2	2	90	Off	On	SPST
2	LKS276M	1	2	2	1	90	Off	(On)	SPST

### Megatone Electronics Corp.

Tel: +886-2-2951-0821 / Fax: +886-2-2593-1849

Email: orders@MegatoneCorp.com / mega.powe@msa.hinet.net