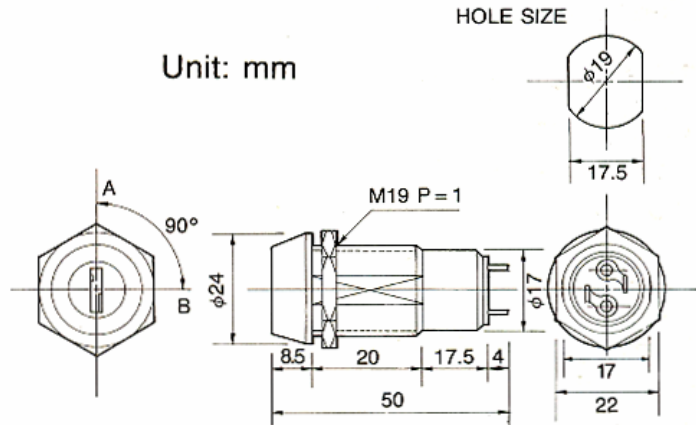
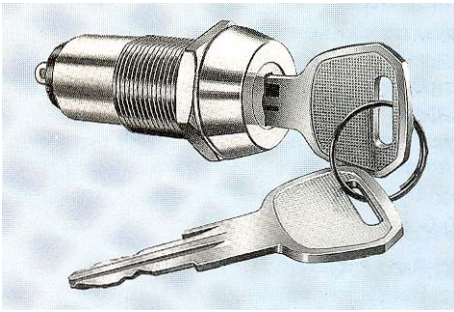


## LKS246



### Descriptions:

- Zinc alloy die cast housing and cylinder.
- 5-Disc tumbler mechanism.
- Reversible double cut key. Brass made, nickel plated.
- With dust shutter.
- Silver plated contacts and terminals.
- LKS246 2 Positions (off-on), 2 Terminals (off-on type).
- Used for: Alarms, security systems, cars, garages etc.
- 150 combinations available.

### Specifications:

- Contact Rating: 4A 125VAC, 2A 250VAC.
- Contact Resistance: 10 milli-Ohms Max.
- Insulation Resistance: 500 Meg-Ohms Min. (500 VDC)
- Dielectric Strength: 1500 VAC-1 Minute.

### Key-Pull Figurese:

- Off Position
- I-Indicates Key-Pull
- Indicates No Key-Pull

Fig. No.	Lock Number	Pole	Positions	Terminals	Key Pulls	Turn	⤴	⤵	Type
1	LKS246-1	1	2	2	1	90°	Off	On	SPST
2	LKS246-2	1	2	2	2	90°	Off	On	SPST

### Megatone Electronics Corp.

Tel: +886-2-2951-0821 / Fax: +886-2-2593-1849

Email: orders@MegatoneCorp.com / mega.powe@msa.hinet.net