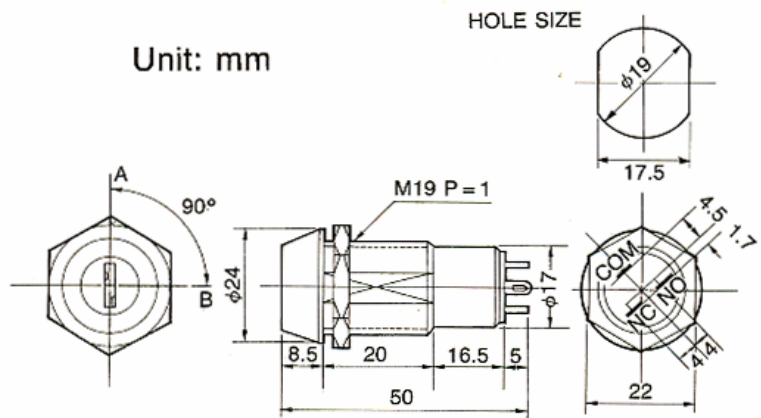
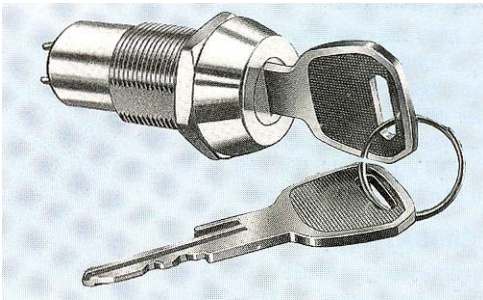


## LKS246-3C



### Descriptions:

- Zinc alloy die cast housing and cylinder.
- 5-Disk tumblers mechanism. Reversible double cut key. Brass made, nickel plated.
- With dust shutter.
- Silver plated contacts and terminals.
- LKS246-3C 2 Positions (on-on), 3 Terminals (charge over type).
- Used for: Alarms, security systems, cars, garages etc.
- 150 combinations available.

### Specification:

- Contact Rating: 4A 125VAC, 2A 250VAC.
- Contact Resistance: 10 milli-Ohms Max.
- Insulation Resistance: 500 Meg-Ohms Min. (500 VDC)
- Dielectric Strength: 1500 VAC-1 Minute.

### Key-Pull Figures:

- o-Off Position
- I-Indicates Key-Pull
- Indicates No Key-Pull

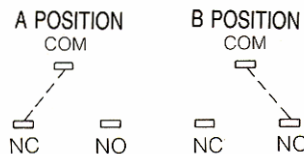


Fig. No.	Lock Number	Pole	Positions	Terminals	Key Pulls	Turn	⏻	⏪	Type
1	LKS246-3C-1	1	2	3	1	90	On	On	SPDT
2	LKS246-3C-2	1	2	3	2	90	On	On	SPDT