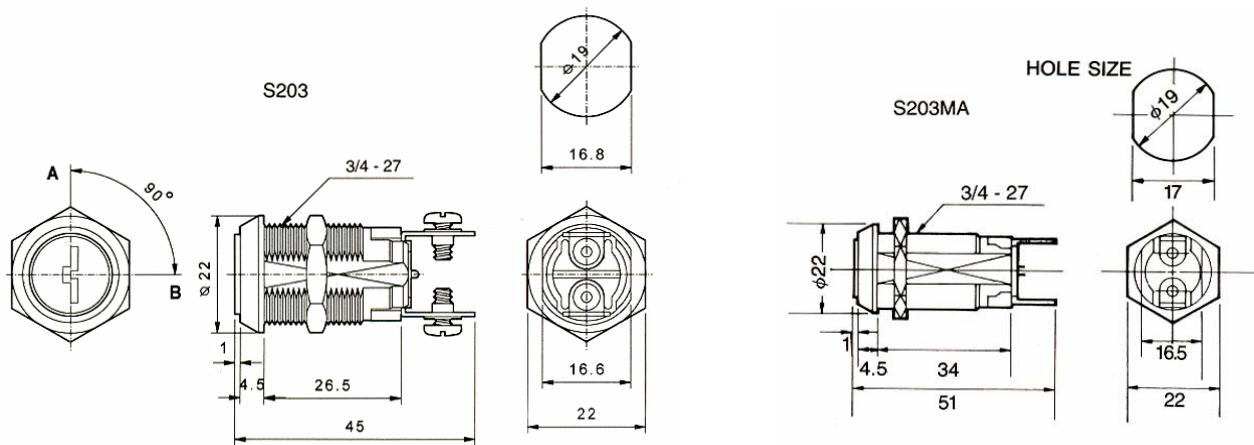
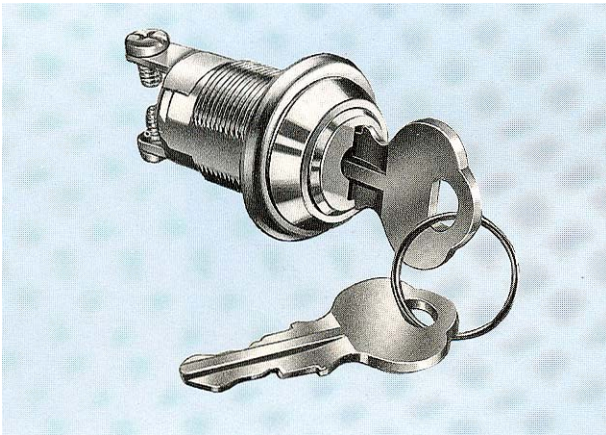


LKS203, LKS203M, LKS203A, LKS203MA



Descriptions:

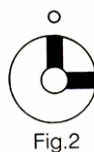
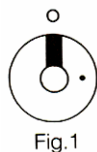
- Zinc alloy die cast housing and cylinder chrome plated.
- 11 Blade Criss cross tumblers. Double Bitted key.
- 2 kinds of terminals available.
- LKS203 Maintaining contact screw terminal.
- LKS203A Maintaining contact spade terminal.
- LKS203M Momentary contact screw terminal.
- LKS203MA Momentary contact spade terminal.

Specifications:

- Contact Rating: 4A 125VAC, 2A 250VAC.
- Contact Resistance: 10 milli-Ohms Max.
- Insulations Resistance: 500 Meg-Ohms Min. (500 VDC)
- Dielectric Strength: 1500 VAC-1 Minute.

Key-Pull Figures:

- - Off Position
- I - Indicates Key-Pull
- - Indicates No Key-Pull



Megatone Electronics Corp.

Tel: +886-2-2951-0821 / Fax: +886-2-2593-1849

Email: orders@MegatoneCorp.com / mega.powe@msa.hinet.net

Fig. No.	Lock Number	Pole	Positions	Terminals	Key Pulls	Turn	ⓘ	Ⓜ	Type
1	LKS203-1	1	2	2	1	90	Off	On	SPST
2	LKS203-2	1	2	2	2	90	Off	On	SPST
1	LKS203A-1	1	2	2	1	90	Off	On	SPST
2	LKS203A-2	1	2	2	2	90	Off	On	SPST
1	LKS203M	1	2	2	1	90	Off	(On)	SPST
1	LKS203MA	1	2	2	1	90	Off	(On)	SPST