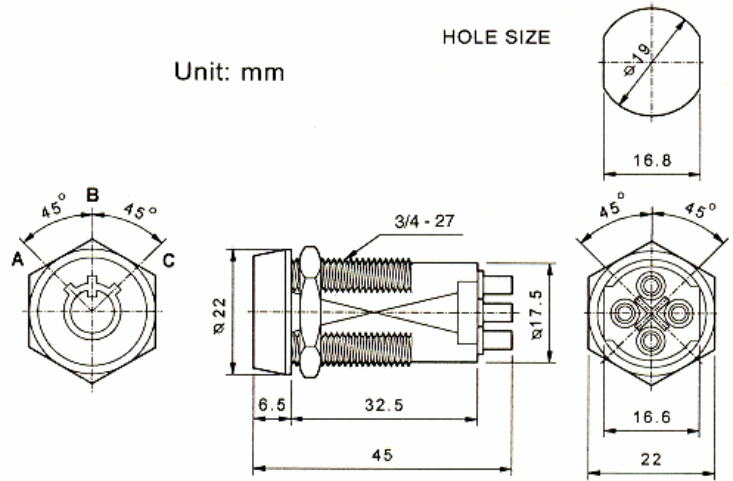
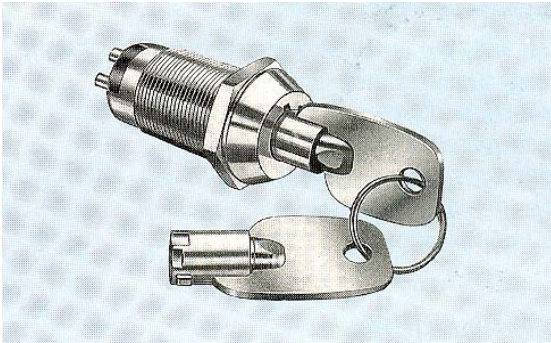


LKS202ZB, LKS202ZC, LKS202ZD, LKS202ZE



Descriptions:

- Zinc alloy die cast housing and cylinder, chrome plated.
- Steel made tubular keys, nickel plated.
- Silver plated contacts and terminals.
- LKS202ZB 3 Positions (on-off-on) 4 Terminals.
- LKS202ZC 3 Positions (off-on-on) 4 Terminals.
- LKS202ZD 2 Positions (on-on) 4 Terminals.
- LKS202ZE 2 Positions (off-on) 4 Terminals.
- 50000 combinations available.

Specifications:

- Contact Rating: 4A 125VAC, 2A 250VAC.
- Contact Resistance: 10 milli-Ohms Max.
- Insulation Resistance: 500 Meg-Ohms Min. (500 VDC).
- Dielectric Strength: 1500VAC-1 Minute.

Key-Pull Figures:

- Off Position
- I-Indicates Key-Pull
- Indicates No Key-Pull

Fig. No.	Lock Number	Pole	Positions	Terminals	Key Pulls	Turn	⊘	↑	↗	⊖	Type
1	LKS202ZB	1	3	4	3	45-0-45	On	Off	On		SPDT

Megatone Electronics Corp.

Tel: +886-2-2951-0821 / Fax: +886-2-2593-1849

Email: orders@MegatoneCorp.com / mega.powe@msa.hinet.net

MEGATONE

Locks



LKS202ZC 1 3 4 3 45-0-90 Off On On SPDT

2



LKS202ZD 1 2 4 2 90 On On SPDT

3



LKS202ZE 1 2 4 2 90 Off On DPST

3

Megatone Electronics Corp.

Tel: +886-2-2951-0821 / Fax: +886-2-2593-1849

Email: orders@MegatoneCorp.com / mega.powe@msa.hinet.net