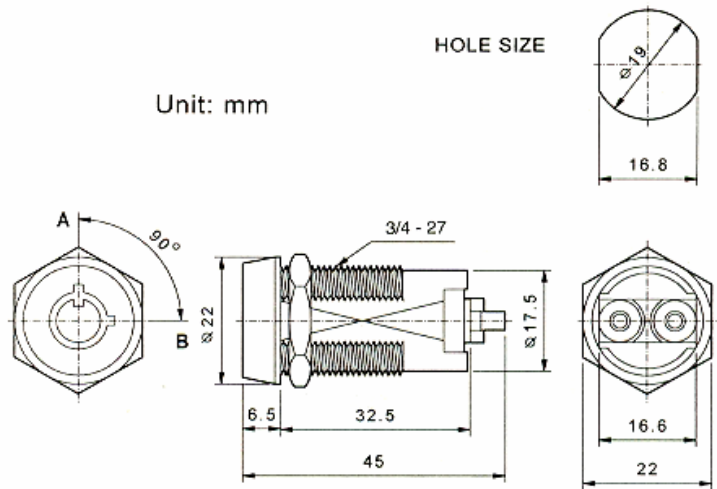
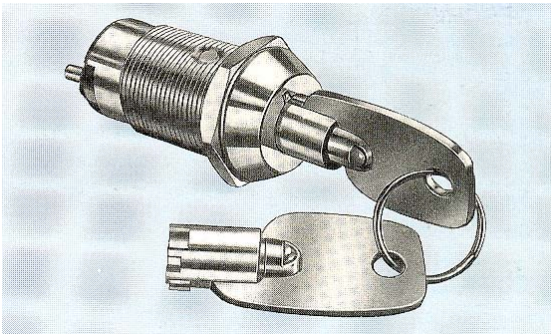


LKS200Z, LKS202ZA



Descriptions:

- Zinc alloy die cast housing and cylinder, chrome plated.
- Radial cylinder with 7 pin tumblers. Anti-Picking with wide range of key change, upon request, keyed alike is available.
- Steel made tubular keys, nickel plated.
- Silver plated contacts and terminals.
- LKS202Z 2 Positions (off-on).
- LKS202ZA 2 Positions (off-on) spring loaded for momentary contact.
- 50000 combinations available.

Specification:

- Contact Rating: 4A 125VAC, 2A 250VAC.
- Contact Resistance: 10 milli-Ohms Max.
- Insulation Resistance: 500 Meg-Ohms Min. (500 VDC).
- Dielectric Strength: 1500 VAC-1 Minute.

Key-Pull Figures:

- Off Position
- I-Indicates Key-Pull
- Indicates No Key-Pull

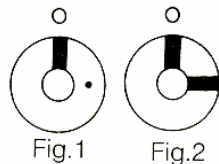


Fig. No.	Lock Number	Pole	Positions	Terminals	Key Pulls	Turn	⊕	⊖	Type
1	LKS202Z-1	1	2	2	1	90	Off	On	SPST
2	LKS202Z-2	1	2	2	2	90	Off	On	SPST
1	LKS202ZA	1	2	2	1	90	Off	On	SPST

Megatone Electronics Corp.

Tel: +886-2-2951-0821 / Fax: +886-2-2593-1849

Email: orders@MegatoneCorp.com / mega.powe@msa.hinet.net