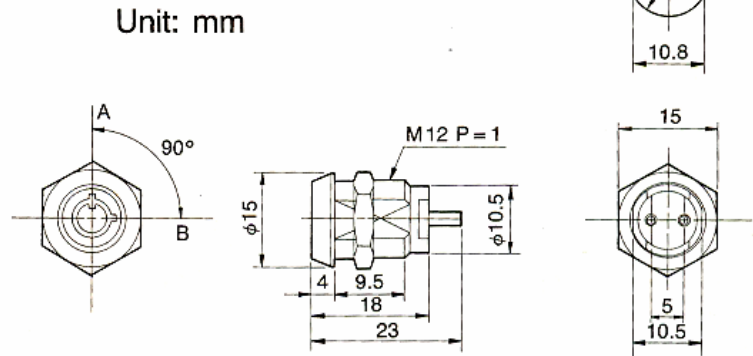
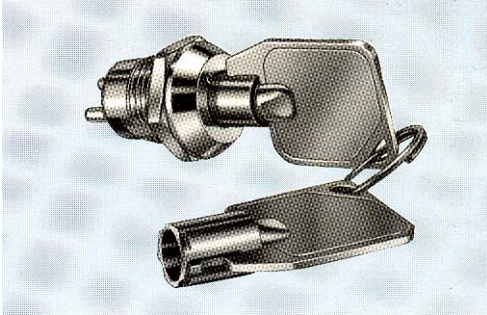


LKS126



Descriptions:

- Zinc alloy die cast housing and cylinder, chrome plated.
- Steel made tubular keys, nickel plated.
- Silver plated contacts and terminals
- LKS126 2 Positions (off-on) 2 Terminals.
- 200 combinations available.

Specifications:

- Contact Rating: 1A 125VAC, 0.5A 250VAC.
- Contact Resistance: 10 milli-Ohms Max.
- Insulation Resistance: 200 Meg-Ohms Min. (500VDC).
- Dielectric Strength: 1000 Vac-1 Minute.

Key-Pull Figures:

- o-Off Position
- I-Indicates key-Pull
- Indicates No Key-Pull

Fig. No.	Lock Number	Pole	Positions	Terminals	Key Pulls	Turn	⊕	⊖	Type
1	LKS126-2	1	2	2	2	90°	Off	On	SPST