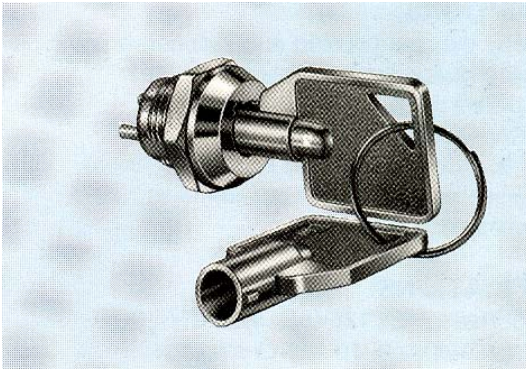
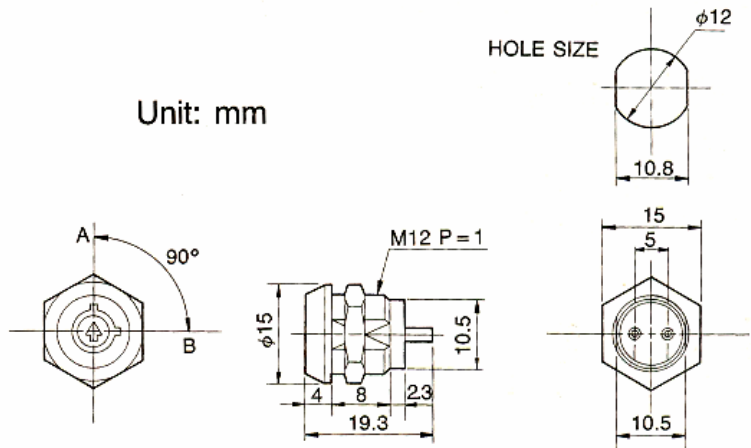


LKS112



Unit: mm



Descriptions:

- Zinc alloy die cast housing and cylinder, chrome plated.
- Zinc alloy keys, chrome plated.
- Silver plated contacts and terminals.
- LKS112 2 Positions (off-on) 2 Terminals.
- 1 combination available.

Specification:

- Contact Rating: 1A 125VAC, 0.5A 250VAC.
- Contact Resistance: 10 milli-Ohm Max.
- Insulation Resistance: 200 Meg-Ohm Min. (500 VDC)
- Dielectric Strength: 1000 VAC-1 Minute.

Key-Pull Figures:

- Off Position
- I-Indicates key-Pull
- Indicates No Key-Pull

Fig. No.	Lock Number	Pole	Positions	Terminals	Key Pulls	Turn	⬆	⬆	Type
1	LKS112-2	1	2	2	2	90	Off	On	SPST