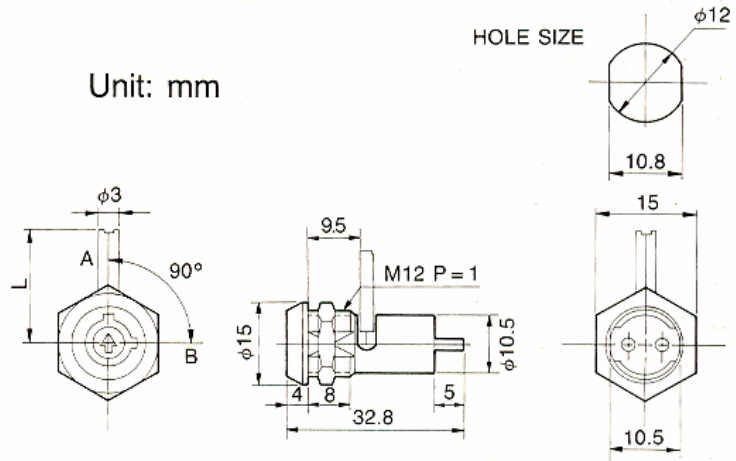
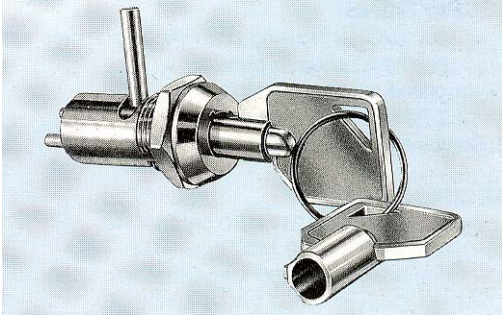


LKS1097



Descriptions:

- Zinc alloy die cast housing and cylinder, chrome plated.
- Zinc alloy keys, chrome plated.
- Silver plated contacts and terminals.
- 2 Positions (off-on).
- LKS1097 is a dual-functioned key lock switch
- "L" dimension per customer requirement, 13mm is standard.
- 6 combinations available.

Specifications:

- Contact Rating: 1A 125VAC, 0.5A 250VAC.
- Contact Resistance: 10 milli-Ohms Max.
- Insulations Resistance: 200 Meg-Ohms Min. (500VDC)
- Dielectric Strength: 1000 VAC-1 Minute.

Key-Pull Figures:

- Off Position
- I-Indicates key-Pull
- Indicates No Key-Pull

Fig. No.	Lock Number	Pole	Positions	Terminals	Key Pulls	Turn	⊕	⊖	Type
1	LKS1097-2	1	2	2	2	90°	Off	On	SPST