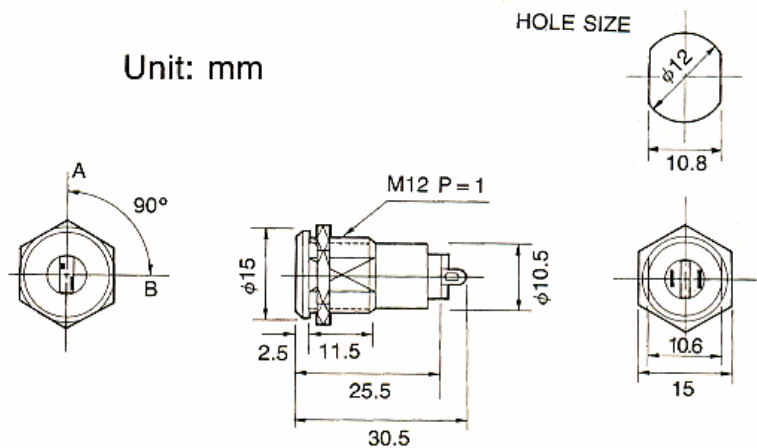
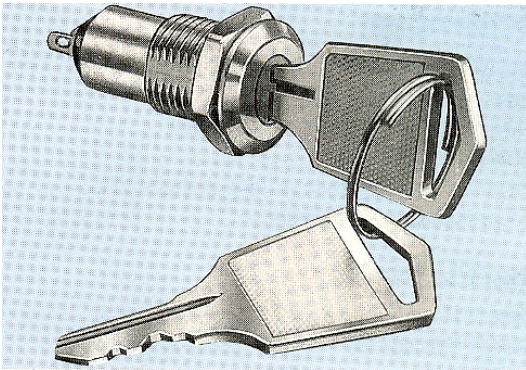


## LKS1091B



### Descriptions:

- Zinc alloy die cast housing with bright stainless steel bezel.
- Brass keys, nickel plated.
- Silver plated contacts and terminals.
- 2 positions (off-on).
- LKS1091B key may be withdrawn in one or both positions.
- 20 combinations available.

### Specifications:

- Contact Rating: 1A 125VAC, 0.5A 250VAC.
- Contact Resistance: 10 milli-Ohms Max.
- Insulation Resistance: 200 Meg-Ohms Min. (500 VDC)
- Dielectric Strength: 1000 VAC-1 Minute.

### Key Pull Figures:

○-Off Position

I-Indicates Key-Pull

•-Indicates No Key-Pull

Fig No.	Lock Number	Pole	Positions	Terminals	Key Pulls	Turn	⊕	⊖	Type
1	LKS1091B-1	1	2	2	1	90	Off	On	SPST
2	LKS1091B-2	1	2	2	2	90	Off	On	SPST

### Megatone Electronics Corp.

Tel: +886-2-2951-0821 / Fax: +886-2-2593-1849

Email: orders@MegatoneCorp.com / mega.powe@msa.hinet.net