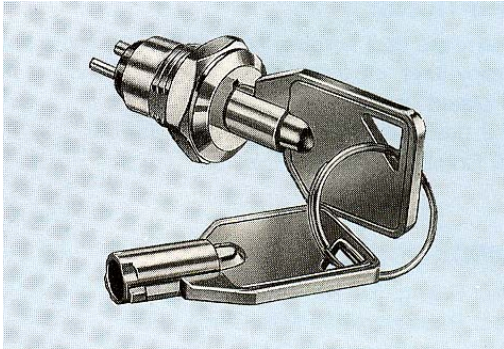
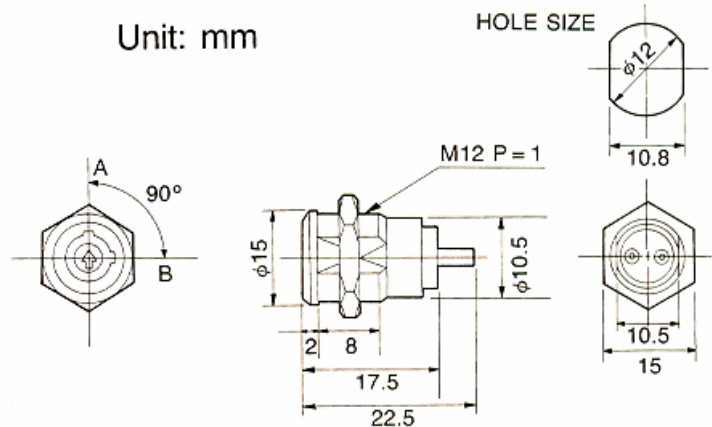


LKS105



Unit: mm



Descriptions:

- Zinc alloy die cast housing and cylinder, chrome plated.
- Zinc alloy keys, chrome plated.
- Silver plated contacts and terminals.
- LKS105 2 Positions (off-on) 2 Terminals.
- 6 combinations available.

Specification:

- Contact Rating: 1A 125VAC 0.5A 250VAC
- Contact Resistance: 10 milli-Ohm Max.
- Insulation Resistance: 200 meg-Ohms Min. (500 VDC)
- Dielectric Strength: 1000 Vac-1 Minute.

Key-Pull Figures:

- o-Off Position
- I-Indicates Key-Pull
- Indicates No Key-Pull

Fig. No.	Lock Number	Pole	Positions	Terminals	Key Pulls	Turn	Off	On	Type
1	LKS105-2	1	2	2	2	90°	Off	On	SPST

Megatone Electronics Corp.

Tel: +886-2-2951-0821 / Fax: +886-2-2593-1849

Email: orders@MegatoneCorp.com / mega.powe@msa.hinet.net