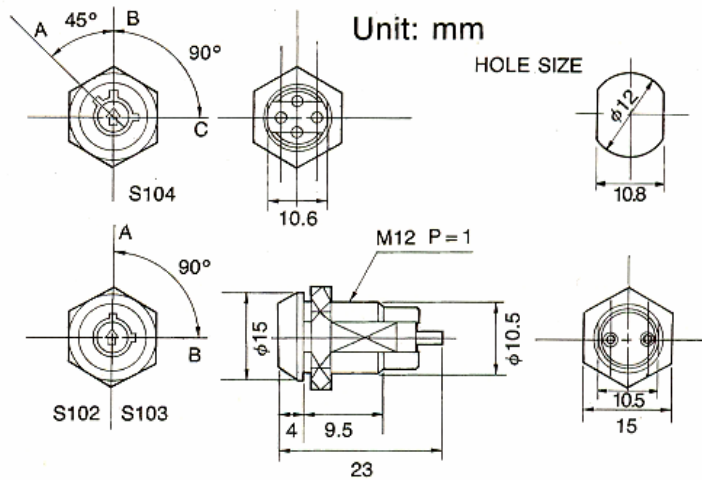
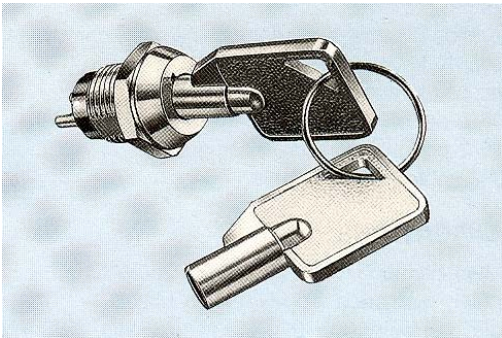


LKS102, LKS103, LKS104



Descriptions:

- Zinc alloy die cast housing and cylinder, chrome plated.
- Zinc alloy keys, chrome plated.
- Silver plated contacts and terminals
- LKS102 2 Positions (off-on) 2 Terminals.
- LKS103 2 Positions (off-on) 4 Terminals.
- LKS104 3 Positions (off-on-on) 4 Terminals.
- 1 combination available.

Specifications:

- Contact Rating: 1A 125VAC, 0.5A 250VAC
- Contact Resistance: 10 milli-Ohms Max.
- Insulation Resistance: 200 Meg-Ohms Min. (500 VDC)
- Dielectric Strength: 1000 VAC-1 minute.

Key-Pull Figures:

- Off Position
- I-Indicates Key-Pull
- Indicates No Key-Pull



Fig.1



Fig.2



Fig.3

| Fig. No. | Lock Number | Pole | Positions | Terminals | Key-Pulls | Turn | Off | On | Type | |
|----------|-------------|------|-----------|-----------|-----------|------------|-----|----|------|------|
| 1 | LKS102-2 | 1 | 2 | 2 | 2 | 90° | Off | On | SPST | |
| 2 | LKS103 | 1 | 2 | 4 | 2 | 90° | On | On | SPDT | |
| 3 | LKS104 | 1 | 3 | 4 | 3 | 45°-0°-90° | Off | On | On | SPDT |

Megatone Electronics Corp.

Tel: +886-2-2951-0821 / Fax: +886-2-2593-1849

Email: orders@MegatoneCorp.com / mega.powe@msa.hinet.net