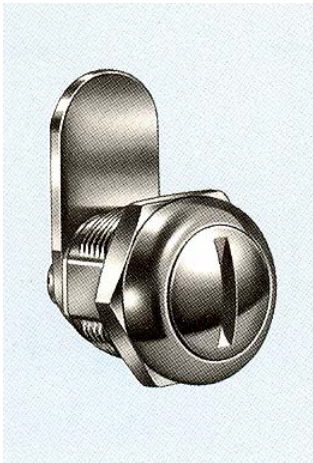
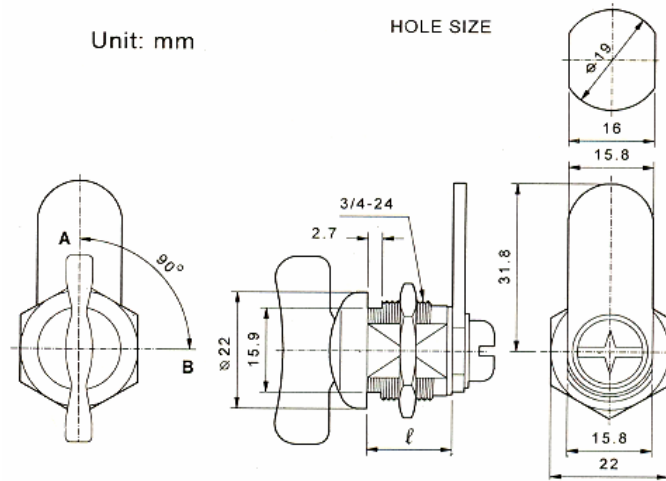
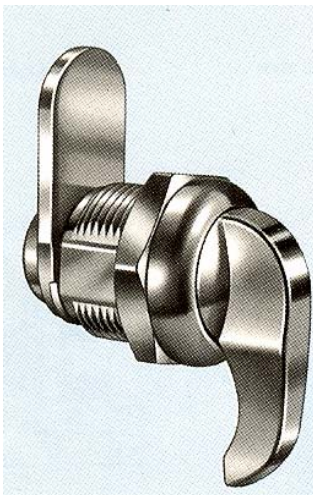
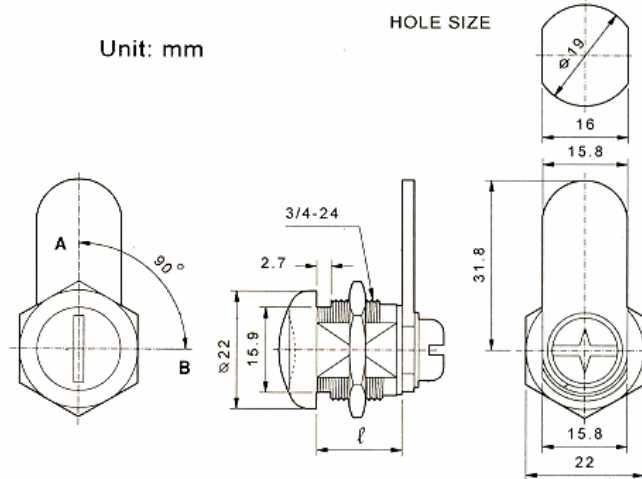


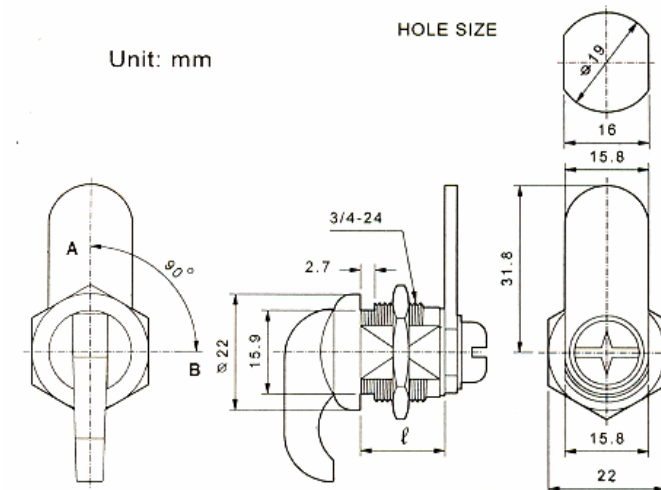
LKRT Series



LKRI Series



LKRL Series



Descriptions:

- Zinc alloy die cast housing and cylinder.
- Nickel plating is standard, other finishes available on request.
- Ball and spring detent.
- LKRT, LKRI series hand operated four sizes available.
- RI series screwdriver or coin operated four sizes available.
- Various cam rotations available.
- Various cam configurations available.
- Hex nut or speed clip mounted.

Sizes	ℓ
S	15.9
M	22.2
L	28.6
XL	34.9

Sizes	S	M	L	XL
Lock Number	LKRT058	LKRT078	LKRT118	LKRT138
Lock Number	LKRI058	LKRI078	LKRI118	LKRI138
Lock Number	LKRL058	LKRL078	LKRL118	LKRI138