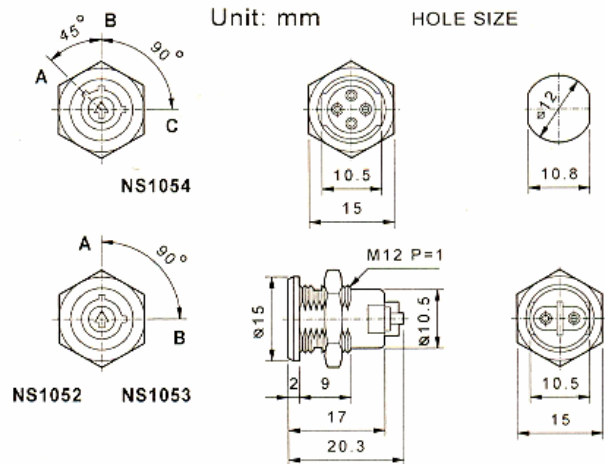
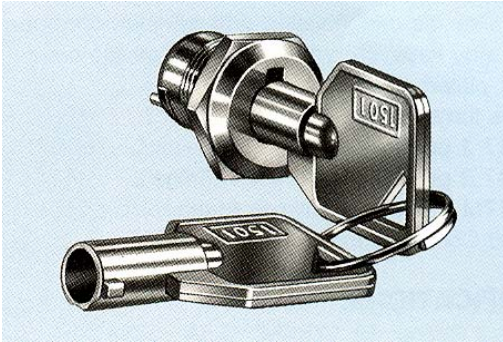


## LKNS1052, LKNS1053, LKNS1054



### Descriptions:

- Zinc alloy die cast housing and cylinder, chrome plated.
- Zinc alloy keys, chrome plated.
- Silver plated contacts and terminals.
- LKNS1052 2 Potions (off-on) 2 Terminals.
- LKNS1053 2 Potions (on-on) 2 Terminals.
- LKNS1054 3 Potions (off-on-on) 2 Terminals.
- 6 combinations available.

### Specifications:

- Contact Rating: 1A 125VAC, 0.5A 250VAC.
- Contact Resistance: 10 milli-Ohms Max.
- Insulation Resistance: 200 Meg-Ohms Min. (500 VDC)
- Dielectric Strength: 1000 VAC-1 Minute.

### Key-Pull Figures:

o-Off Position

I-Indicates Key-Pull

•-Indicates No Key-Pull



Fig. No.	Lock Number	Pole	Positions	Terminals	Key Pulls	Turn	⊘	⊕	⊖	Type
1	LKNS1052	1	2	2	2	90		Off	On	SPST
2	LKNS1053	1	2	4	2	90		On	On	SPDT
3	LKNS1054	1	3	4	3	45-0-90	Off	On	On	SPDT