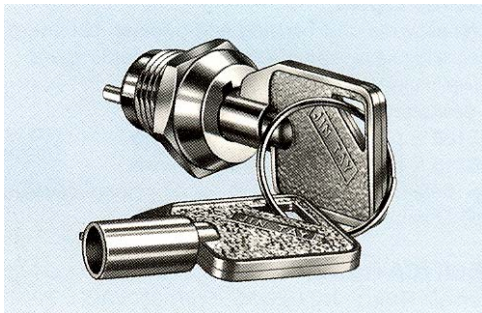
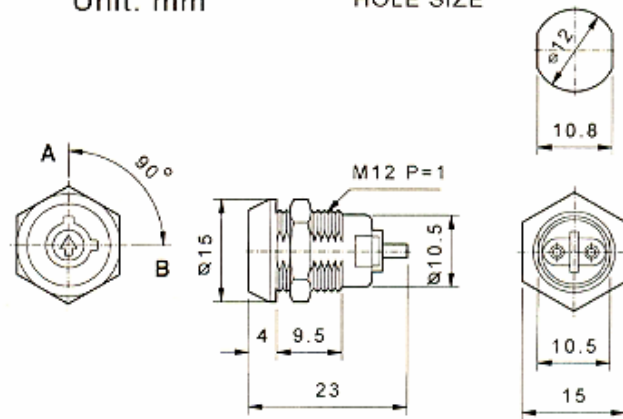


LKNS102



Unit: mm

HOLE SIZE



Descriptions:

- Zinc alloy die cast housing and cylinder, chrome plated.
- Zinc alloy keys, chrome plated.
- Silver plated contacts and terminals.
- 2 Positions (off-on) 2 terminals.
- 1 combinations available.

Specifications:

- Contact Rating: 1A 125VAC, 0.5A 250VAC.
- Contact Resistance: 10 milli-Ohms Max.
- Insulation Resistance: 200 Meg-Ohms Min. (500 VDC)
- Dielectric Strength: 1000 VAC-1 Minute.

Key-Pull Figures:

o-Off Position

I-Indicates Key-Pull

•-Indicates No Key-Pull

Fig. No.	Lock Number	Pole	Positions	Terminals	Key Pulls	turn	⊕	⊖	Type
1	LKNS102-2	1	2	2	2	90	Off	On	SPST