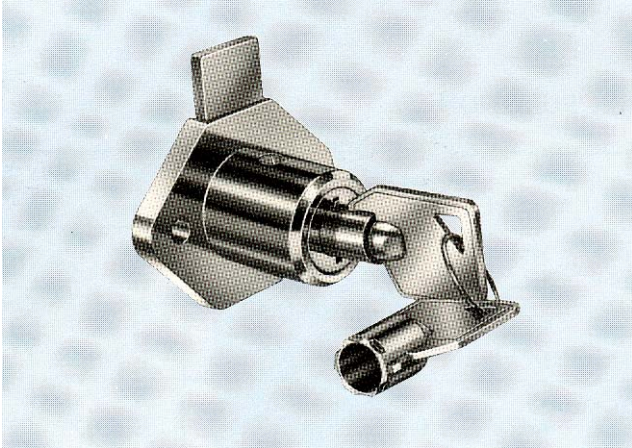


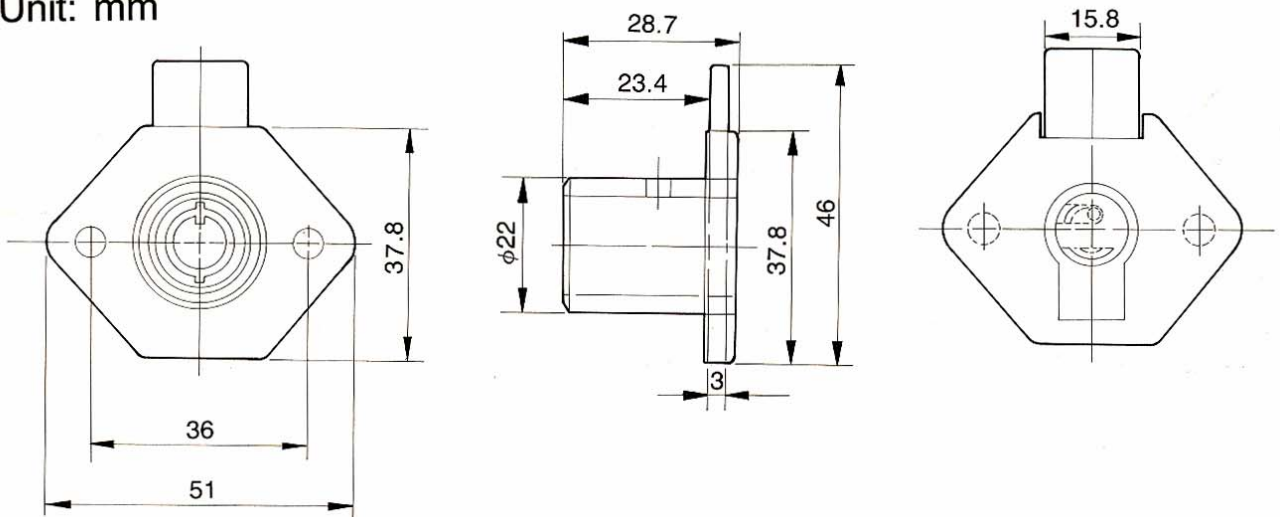
LKDL870



Descriptions:

- Zinc alloy die cast housing and cylinder
- Steel made tabular keys, nickel plated
- 180 degree turn to unlock
- Key withdrawals in both positions
- Bright chrome finish is standard, other finishes available on request.
- 5000 combinations available.

Unit: mm



Megatone Electronics Corp.

Tel: +886-2-2951-0821 / Fax: +886-2-2593-1849

Email: orders@MegatoneCorp.com / mega.powe@msa.hinet.net