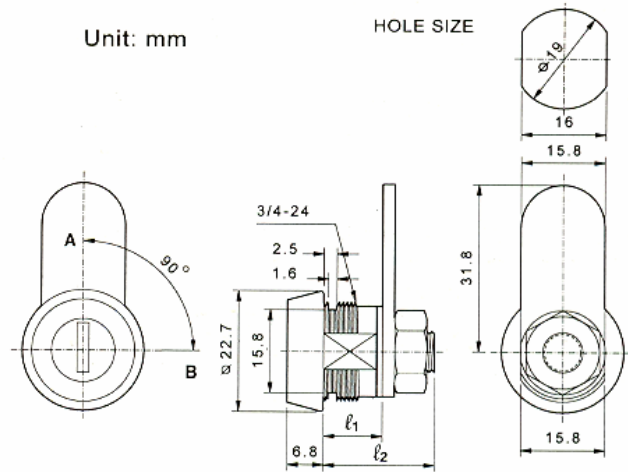
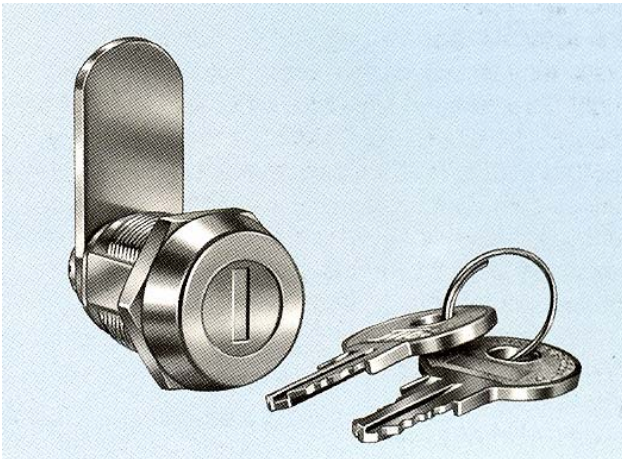
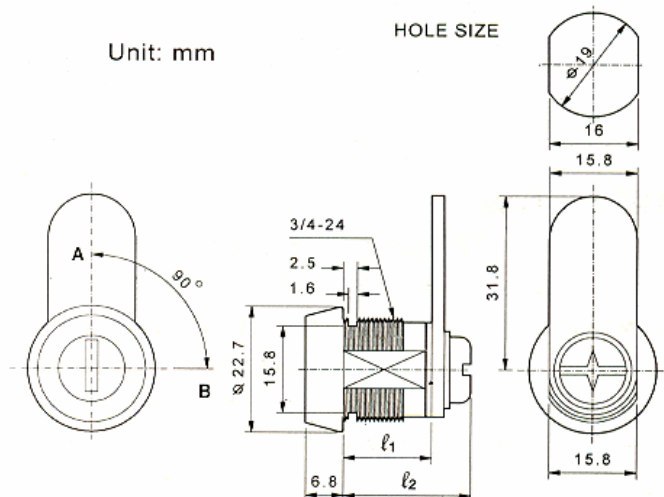


## LKC680 Double-Bitted Key



### Descriptions:

- Zinc alloy die cast housing and cylinder, chrome plated.
- Stainless steel capped bezel, dust shutter mechanism.
- Reversible double-bitted brass keys, nickel plated.
- LKC680XS 4 disc tumbler, cam is fixed or affixed by nut.
- LKC680S, LKC680M, LKC680L and LKC680XL 5 disc tumbler cam is fixed or affixed by screw.
- Various cam rotations available.
- Various cam configurations available.
- Hex nut or speed clip mounted.
- 200 key combinations available.



### Key-Pull Figures:

- ┆-Indicates Key-Pull
- Indicates No Key-Pull

Fig. No.	Lock Number	Positions	Key Pulls	Turn	SCREW FIXED		
					Sizes	l <sub>1</sub>	l <sub>2</sub>
 1	LKC680-1	2	1	90°	XS	11.1	14.7
					S	15.9	19.5
 2	LKC680-2	2	2	90°	M	22.2	25.8
					L	28.6	32.1
					XL	34.9	38.4

**Megatone Electronics Corp.**

Tel: +886-2-2951-0821 / Fax: +886-2-2593-1849

Email: orders@MegatoneCorp.com / mega.powe@msa.hinet.net