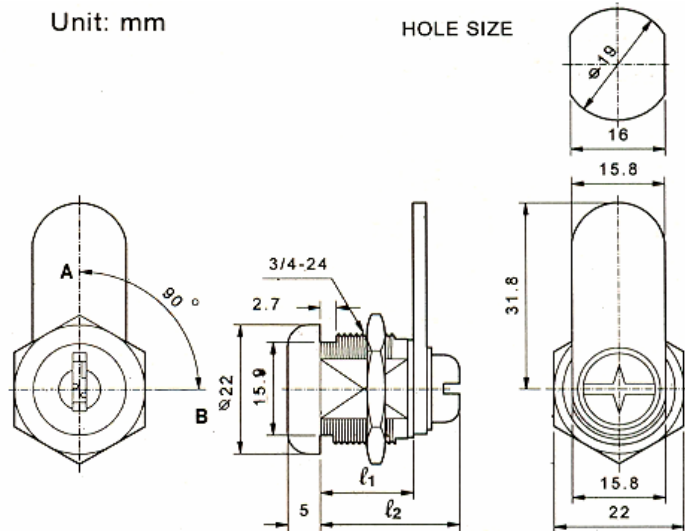


LKC650

Unit: mm

HOLE SIZE





Descriptions:

- Zinc alloy die cast housing and cylinder.
- 5 disc tumbler mechanism brass key nickel plated.
- Bright chrome finish standard, other finishes available on request.
- LKC650XS, LKC650S, LKC650M, LKC650L and LKC650XL five sizes available.
- LKC650XS cam is fixed only other size cam affixed by screw or fixed.
- Various cam configurations available.
- Various cam rotations available.
- Hex nut or speed clip mounted.
- 200 key combinations available.

Key-Pull Figures:

- I-Indicates Key-Pull
- Indicates No Key-Pull

Sizes	SCREW FIXED		
	l ₁	l ₂	l ₂
XS	11.1	18.9	14.7
S	15.9	23.7	19.5
M	22.2	30	
L	28.6	36.4	
XL	34.9	42.7	

Fig. No.	Lock Number	Positions	Key Pulls	Turn
 1	LKC650-1	2	1	90°
 2	LKC650-2	2	2	90°