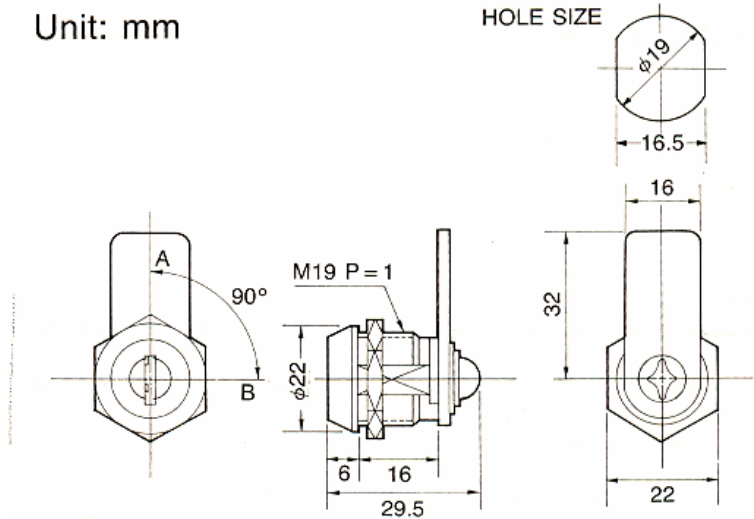
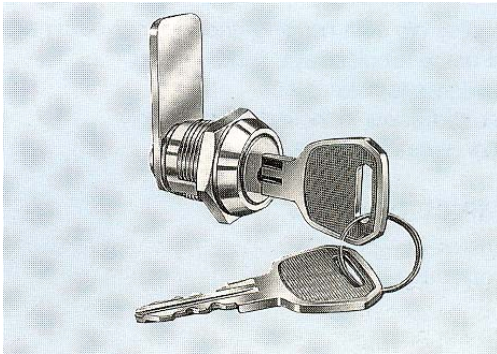


## LKC620

Unit: mm

HOLE SIZE



### Descriptions:

- Zinc alloy die cast housing and cylinder, chrome plated.
- 50-Disc tumbler mechanism.
- Durable Nickel-plated solid brass double-bitted key goes in either way for easy operation.
- Various cam configurations available.
- 150 combinations available.

### Key-Pull Figures:

I - Indicates Key-Pull

• - Indicates No Key-Pull

| Fig. No. | Lock Number | Positions | Key Pulls | Turn |
|----------|-------------|-----------|-----------|------|
| 1        | LKC620-1    | 2         | 1         | 90°  |
| 2        | LKC620-2    | 2         | 2         | 90°  |