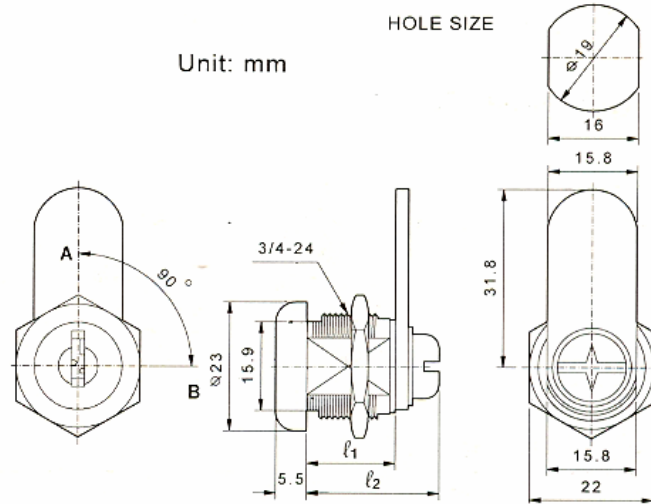


**LKC610 Stainless Steel Capped Bezel**



**Descriptions:**

- Zinc alloy die cast housing and cylinder, stainless steel capped bezel.
- 5 disc tumbler mechanism brass keys nickel plated.
- LKC610XS, LKC610S, LKC610M, LKC610L, and LKC610XL five sizes available.
- LKC610XS cam is fixed only, other size cam is affixed by screw or fixed.
- Various cam configurations available.
- Various cam rotations available.
- Hex nut or speed clip mounted.
- 200 key combinations available.

Sizes	SCREW		FIXED
	l <sub>1</sub>	l <sub>2</sub>	l <sub>2</sub>
XS	11.1	18.9	14.7
S	15.9	23.7	19.5
M	22.2	30	
L	28.6	36.4	
XL	34.9	42.7	

**Key-Pull Figures:**

- I-Indicates Key-Pull
- Indicates No Key-Pull

Fig. No.	Lock Number	Positions	Key Pulls.	Turn
1	LKC610-1	2	1	90°
2	LKC610-2	2	2	90°