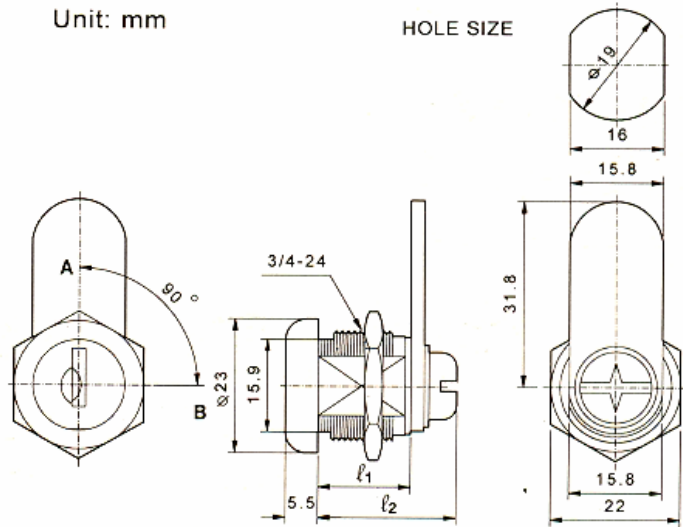
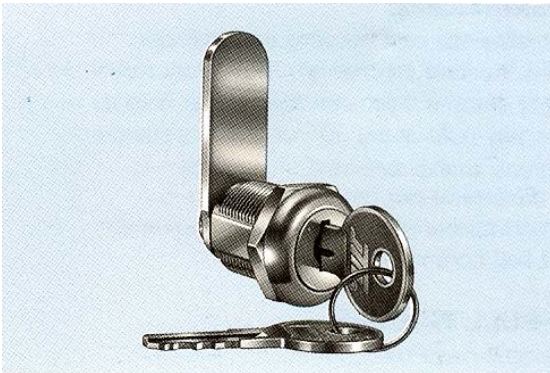


LKC610-D Dust Shutter



Descriptions:

- Zinc alloy die cast housing cylinder, stainless steel capped bezel with dust shutter.
- 5 disc tumbler mechanism brass keys nickel plated.
- LKC610S-D, LKC610M-D, LKC610L-D and LKC610XL-D four sizes available.
- Cam is affixed by screw or fixed
- Various cam configurations available.
- Various cam rotations available.
- Hex nut or speed clip mounted.
- 200 key combinations available.

Sizes	SCREW		FIXED
	l_1	l_2	l_2
S	15.9	23.7	19.5
M	22.2	30	
L	28.6	36.4	
XL	34.9	42.7	

Key-Pull Figures:

- |-Indicates Key-Pull
- Indicates No Key-Pull

Fig. No.	Lock Number	Positions.	Key Pulls	Turn
 1	LKC610-1-D	2	1	90°
 2	LKC610-2-D	2	2	90°