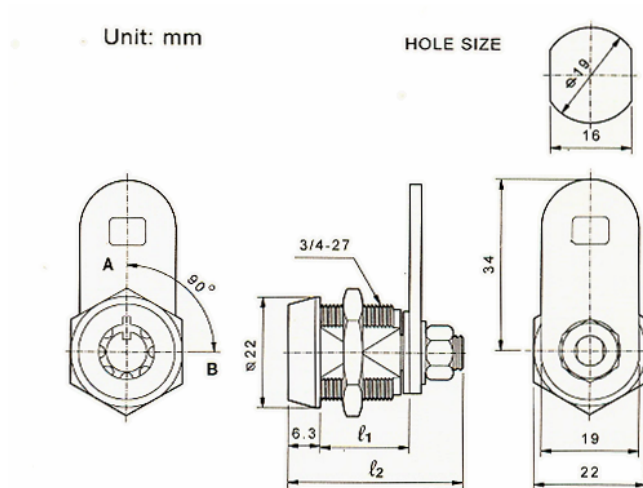
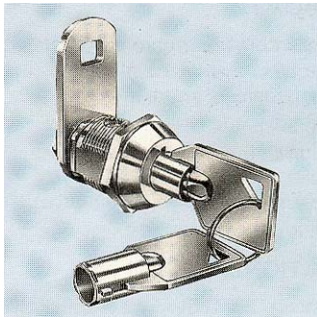


LKC510Z



Descriptions:

- LKC510XS brass housing and cylinder, chrome plated.
- LKC510ZSS, LKC510ZS, LKC510ZM and LKC510ZL zinc alloy die cast housing and cylinder, chrome plated.
- Steel made tubular keys, nickel plated.
- 7 pins radial tumbler mechanism.
- Five sizes available
- Various cam configurations available.
- 50000 combinations available.

Sizes	l_1	l_2
XS	9.5	23.3
ZSS	11	25
ZS	17	33.7
ZM	23	39.7
ZL	28	44.7

Key-Pull Figures:

- I—Indicates key-pull
- Indicates No Key-Pull

Fig. No.	Lock Number	Position	Key Pulls	Turn
	LKC510XS-1	2	1	90°C
	LKC510ZS-1			
	LKC510ZL-1			
	LKC510ZSS-1			
	LKC510ZM-1			
	LKC510XS-2	2	2	90°C
	LKC510ZS-2			
	LKC510ZL-2			
	LKC510ZSS-2			
	LKC510ZM-2			

Megatone Electronics Corp.

Tel: +886-2-2951-0821 / Fax: +886-2-2593-1849

Email: orders@MegatoneCorp.com / mega.powe@msa.hinet.net