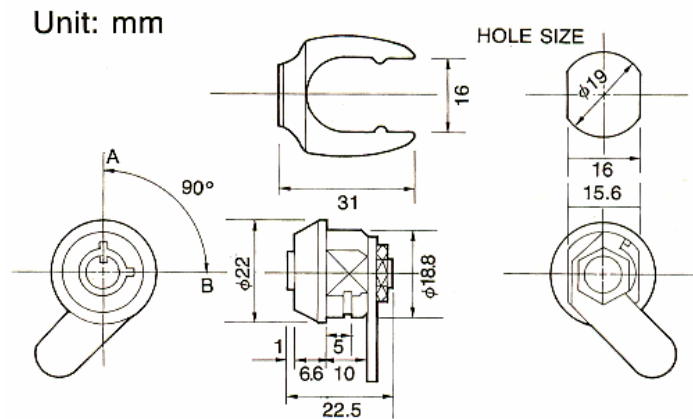
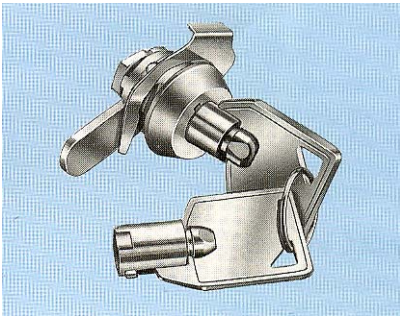


LKC501




Descriptions:

- Zinc alloy die cast housing and cylinder, satin chrome plated.
- Steel made tubular keys nickel plated.
- Various cam configurations available.
- 50000 combinations available.

Key-Pull Figures:

I - Indicates Key-Pull

• - Indicates No Key-Pull

Fig. No.	Lock Number	Positions	Key Pulls	Turn
 1	LKC501-2	2	2	90°