

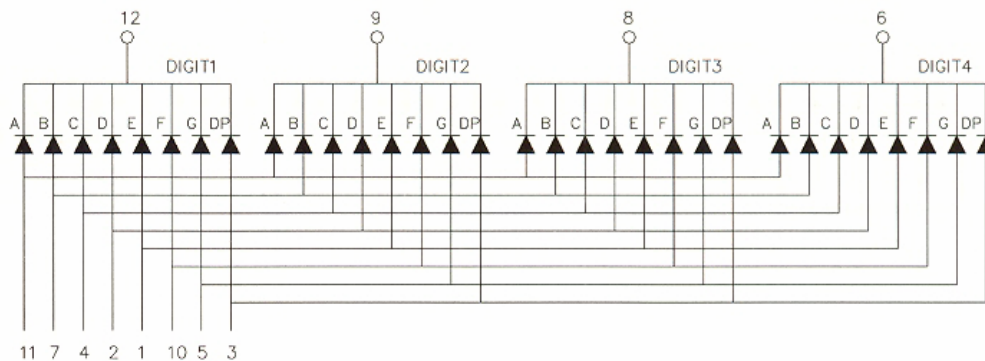
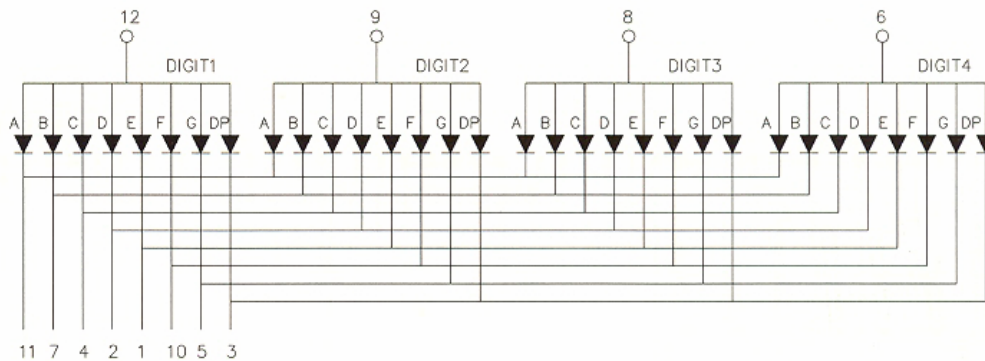
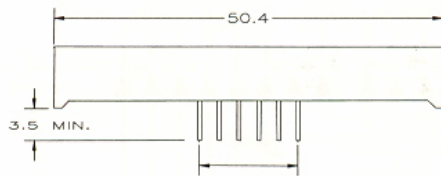
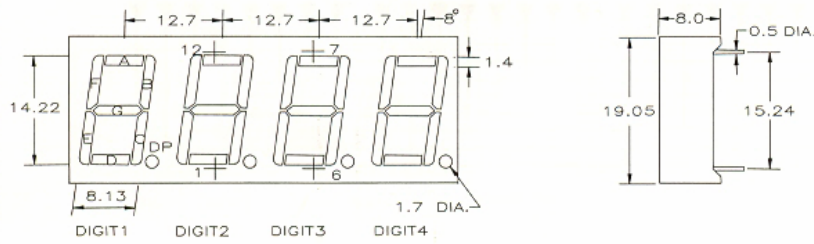
## LDN5674-11-M1BWRS

0.56" Four Digit Display (Multiplex Drive)



### Specifications:

- Color: Red
- Wavelength: 660nm
- Packing: Black with white epoxy
- Pin Count: 12 pins
- Pin Length: L=3.2mm



**Megatone Electronics Corp.**

Tel: +886-2-2951-0821 / Fax: +886-2-2593-1849

Email: [orders@MegatoneCorp.com](mailto:orders@MegatoneCorp.com) / [mega.powe@msa.hinet.net](mailto:mega.powe@msa.hinet.net)