

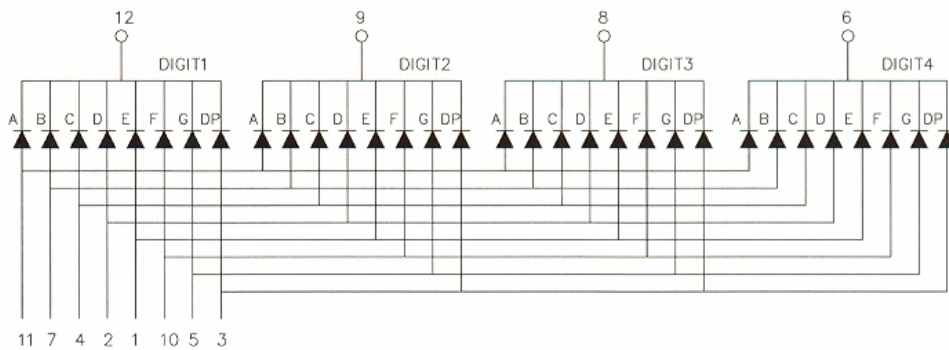
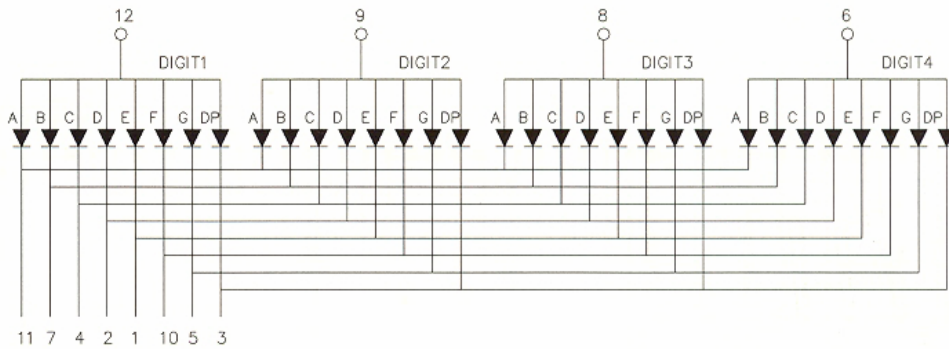
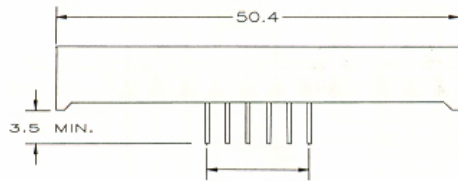
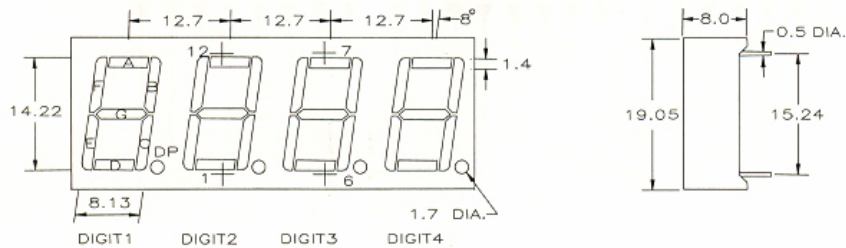
## LDN5674-11-BWRN

0.56" Four Digit Display (Mux Drive)



**Specifications:**

- Color: Red
- Wavelength: 660nm
- Packing: Black with white epoxy
- Pin Count: 12 Pins
- Pin Length: L=6.2mm



**Megatone Electronics Corp.**

Tel: +886-2-2951-0821 / Fax: +886-2-2593-1849

Email: [orders@MegatoneCorp.com](mailto:orders@MegatoneCorp.com) / [mega.powe@msa.hinet.net](mailto:mega.powe@msa.hinet.net)