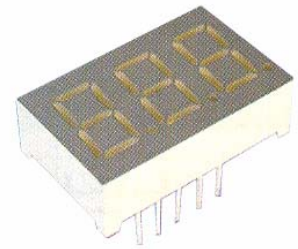


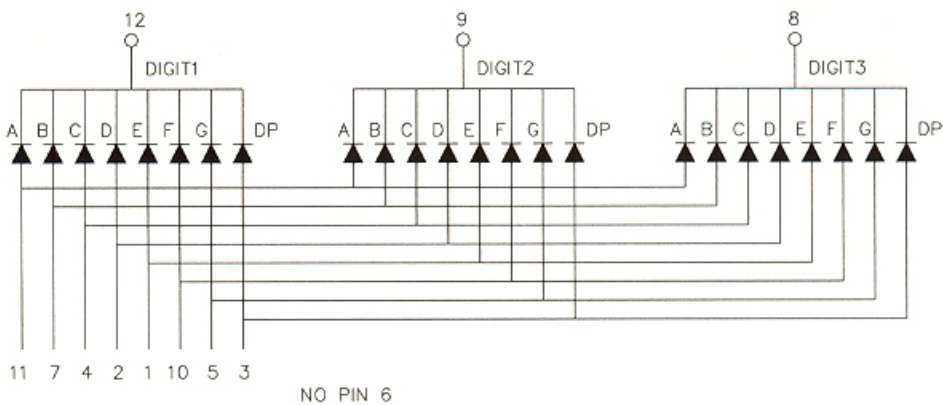
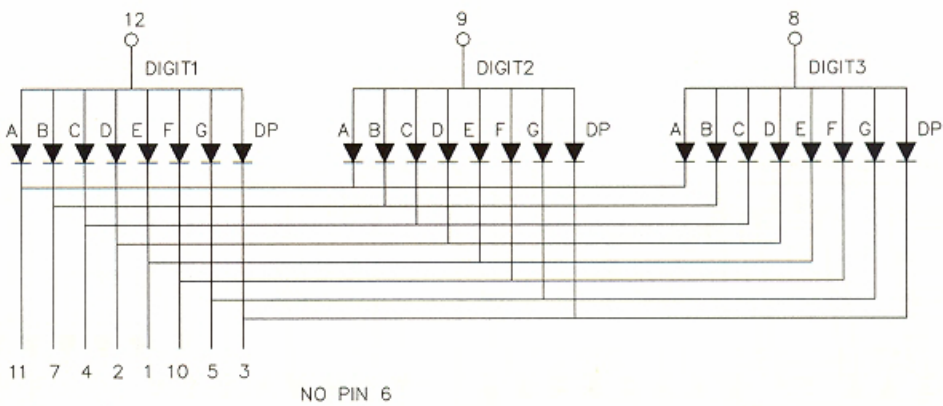
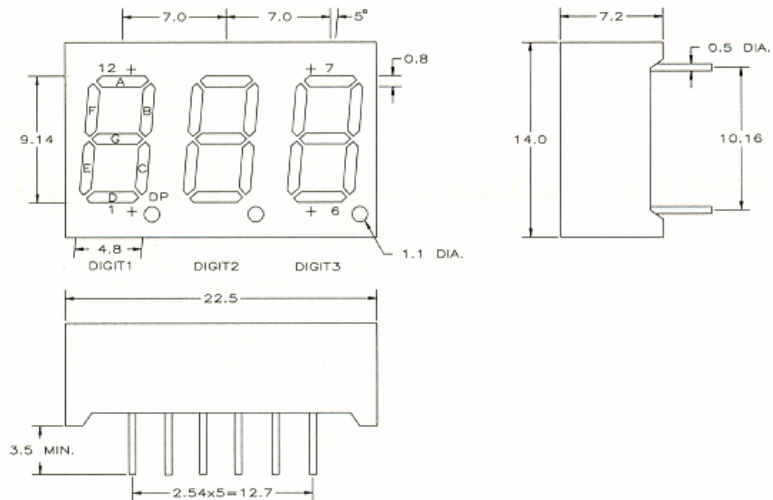
LDN3673-11-M1BWRS

0.36" Three Digit Display (Multiplex Drive)



Specifications:

- Color: Red
- Wavelength: 660nm
- Packing: Black with white epoxy
- Pin Count: 12 pins
- Pin Length: L=3mm



Megatone Electronics Corp.

Tel: +886-2-2951-0821 / Fax: +886-2-2593-1849

Email: orders@MegatoneCorp.com / mega.powe@msa.hinet.net