

General Specification:



- Contact rating: 20mA, 24VDC
- Contact resistance: 200ohm max
- Life: 1,000,000 cycles per key
- Operating Temperature: -20°C to +65°C
- Storage Temperature: -40°C to +65°C

KPD-707-A-SSB-WP-MM

KPD-707-N-SSB-WP-MM

How to order:

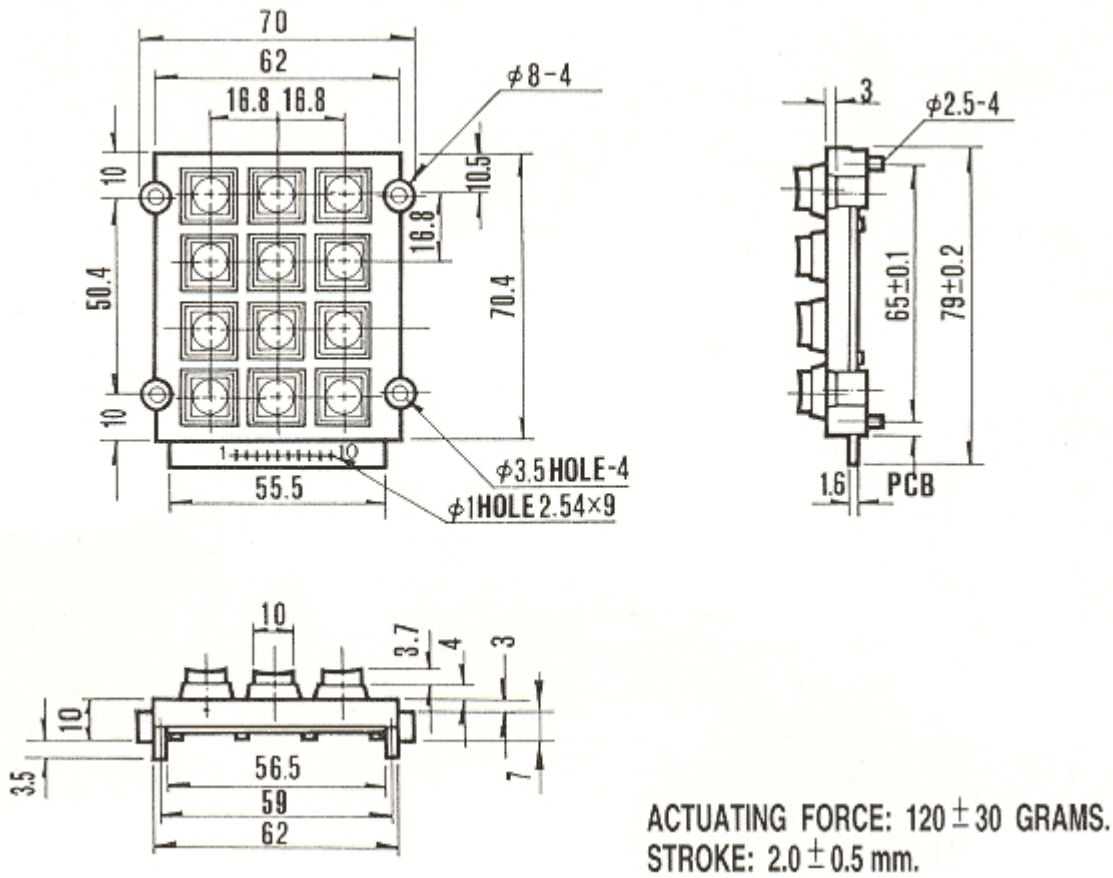
KPD-	XXXX-	X-	XXX-	XX-	XX
	(1)	(2)	(3)(4)(5)	(6)	(7)
<p>(1) Model Number: 101, 102, 103, 104, 207, 304, 304-FM, 507, 707, 804, 1604, 1607</p> <p>(2) Legend (character) type: A - (Alpha-number legend) N - (Numeric legend) B - (Blank) AR - (Arrow)</p> <p>(3) Bezel Color: W - white color B - Black color I - Ivory color S - Silver color for metal bezel</p> <p>(4) Keytop color: W - white color B - black color G - gray color I - Ivory color S - silver color for metal keytop</p> <p>(5) Legend (character) color: W - white color B - black color Y - yellow color L - LED lighting (backlighting)</p> <p>(6) Water proof : WP</p> <p>(7) Metal Bezel, Metal Keytop: MM</p>					

Megatone Electronics Corp.

Tel: +886-2-2951-0821 / Fax: +886-2-2593-1849

Email: orders@MegatoneCorp.com / mega.powe@msa.hinet.net

Dimensions:



ACTUATING FORCE: 120 ± 30 GRAMS.
 STROKE: 2.0 ± 0.5 mm.