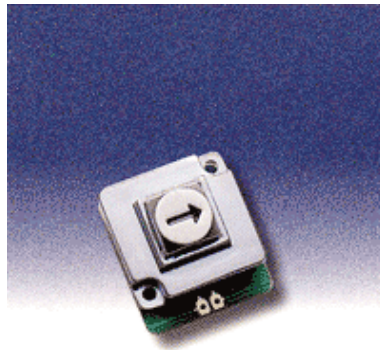
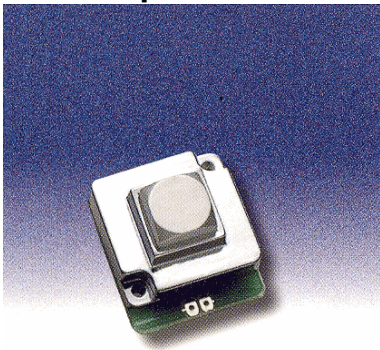


### General Specification:



- Contact rating: 20mA, 24VDC
- Contact resistance: 200ohm max
- Life: 1,000,000 cycles per key
- Operating Temperature: -20°C to +65°C
- Storage Temperature: -40°C to +65°C

**KPD-101-B-SSS-WP-MM**

**KPD-101-AR-SSB-WP-MM**

### How to order:

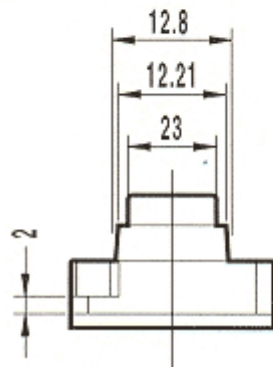
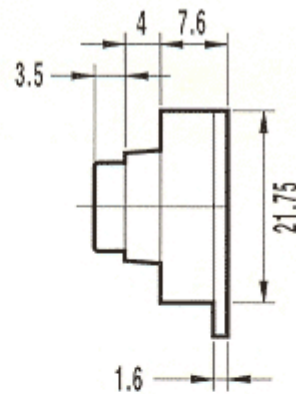
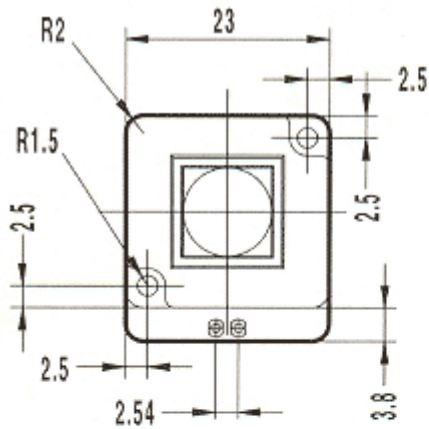
KPD-	XXXX-	X-	XXX-	XX-	XX
	(1)	(2)	(3)(4)(5)	(6)	(7)
<p><b>(1)</b> Model Number: 101, 102, 103, 104, 207, 304, 304-FM, 507, 707, 804, 1604, 1607</p> <p><b>(2)</b> Legend (character) type:                      A – (Alpha-number legend)                      N – (Numeric legend)                      B – (Blank)                      AR – (Arrow)</p> <p><b>(3)</b> Bezel Color:                      W – white color                      B – Black color                      I – Ivory color                      S – Silver color for metal bezel</p> <p><b>(4)</b> Keytop color:                      W – white color                      B – black color                      G – gray color                      I – Ivory color                      S – silver color for metal keytop</p> <p><b>(5)</b> Legend (character) color:                      W – white color                      B – black color                      Y – yellow color                      L – LED lighting (backlighting)</p> <p><b>(6)</b> Water proof : WP</p> <p><b>(7)</b> Metal Bezel, Metal Keytop: MM</p>					

### Megatone Electronics Corp.

Tel: +886-2-2951-0821 / Fax: +886-2-2593-1849

Email: orders@MegatoneCorp.com / mega.powe@msa.hinet.net

## Dimensions:



ACTUATING FORCE:  $120 \pm 30$  GRAMS.  
STROKE:  $2.0 \pm 0.5$  mm.