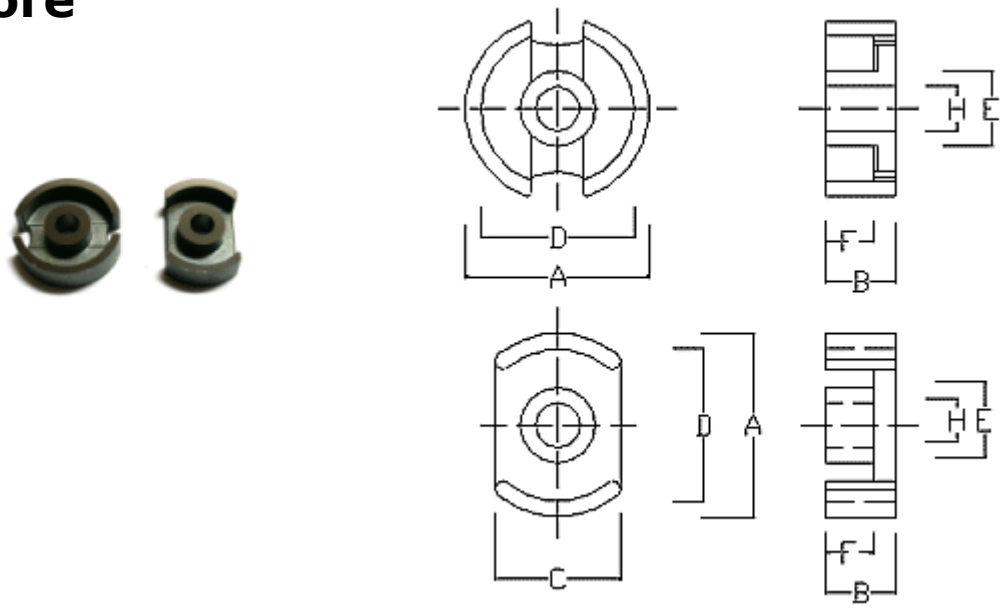


## FPC Core



### DIMENSIONS

Type	DIMENSIONS						(unit:mm)
	A	B	D	E	F	H	
FPC14/8	14.0±0.25	8.36±0.15	11.6min	6.09max	5.60±0.40	3.10±0.1	

### CORE SET PARAMETERS AND ELECTRICAL CHARACTERISTICS

Type	Le (mm)	Ae (mm <sup>2</sup> )	Cl (mm <sup>-1</sup> )	Ve (mm <sup>3</sup> )	Material				
					JPP-3	JPP-4	JPH-5	JPH-7	JPH-10
					AL	AL	AL	AL	AL
FPC14/8	19.8	25.0	0.789	395		2400			5600min