



Features:

- Sealed design for wave soldering and washing

How to order:

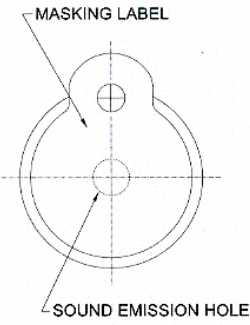
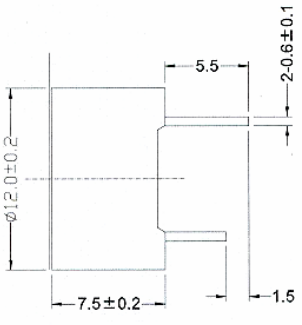
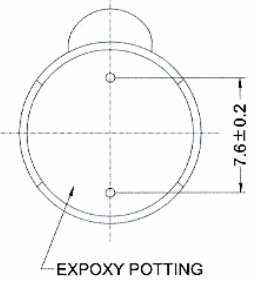
MBZ-	12	01	N	-	B	1	W
	(1)	(2)	(3)		(4)	(5)	(6)
(1) Diameter for the buzzer (2) For the rated voltage Ex. 1.5V numbering by 01; 3.0V numbering by 03 (3) Serial number for various types A,B,K: for the external drive with sealed type C,D,F: for the internal drive with sealed type G,H,J: for the external drive without sealed type R,N: for the side emission hole design M: for the bigger emission hold Y: for the aside emission hold on the top of buzzer S,T: for the type of SMD buzzer (4) Numbering for various spec. of frequency, impedance & material (5) Numbering for various spec. marketing or leads length (6) For Wire type only (No number for pin type)							

	MBZ-1201A-A2	MBZ-1206A-A2	MBZ-1212A-A2	MBZ-1212D-A2
RATED VOLTAGE	1.5 VDC	3 VDC	5 VDC	12 VDC
OPERATING VOLTAGE	1.3~3V	2~5V	3~7V	8~16V
*RATED CURRENT	Max. 25mA	Max. 30mA	Max. 30mA	Max. 30mA
*SOUND PRESSURE LEVEL AT 10 CM	Min. 75dB	Min. 83dB	Min. 83dB	Min. 83dB
*FREQUENCY OF OUTPUT SIGNAL	2,300Hz±500Hz	2,300Hz±400Hz	2,300Hz±400Hz	2,300Hz±400Hz
OPERATING TEMP. RANGE	-20°C to +70°C	-20°C to +70°C	-25°C to +70°C	-25°C to +70°C
STORAGE TEMP.	-30°C to +80°C	-20°C to +85°C	-30°C to +85°C	-30°C to +80°C

Megatone Electronics Corp.

Tel: +886-2-2951-0821 / Fax: +886-2-2593-1849

Email: orders@MegatoneCorp.com / mega.powe@msa.hinet.net

RANGE				
WEIGHT	2gms	2gms	2gms	2gms
Dimensions (Unit: mm±0.5)				

* Value applying rated voltage (DC)