

## TBT-50 Series Pitch 5mm

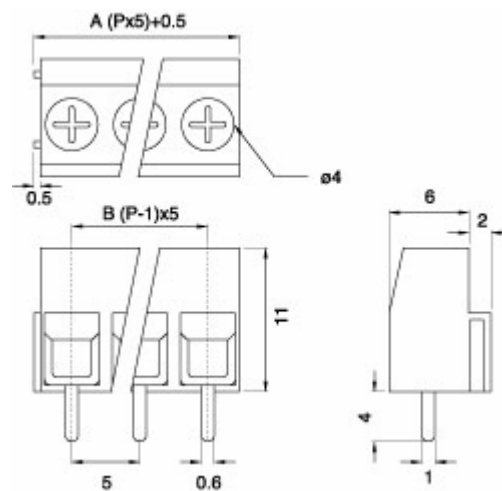
### Features

- Supply 2P, 3P can be dovetailed together to make any length & different combinations

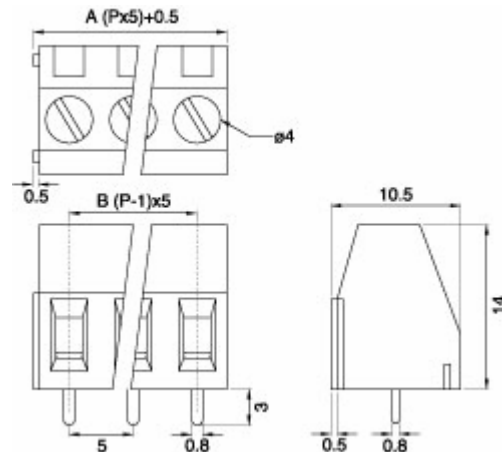
### Specifications

- Body Material: Thermoplastic (UL 94V-0), Green
- Terminals: Tin plated brass
- Screws: Zinc plated steel
- Wire Range AWG:
  - 16-22 STR (MTBKT-501, 502, 503, 505, 506R, 506L)
  - 14-18 STR (MTBKT-504)
- Rating: 10 amperes, 300VAC
- Insulation withstands voltage AC 2000V/MIN
- Insulation resistance 500MΩ or more at DC 500V
- Available in multi-poles from 2 thru 28

### TBT-501

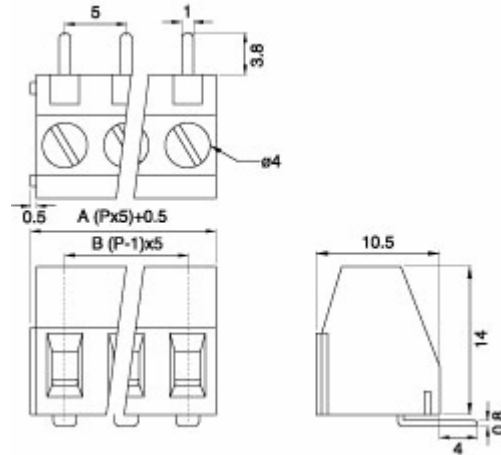


### TBT-502

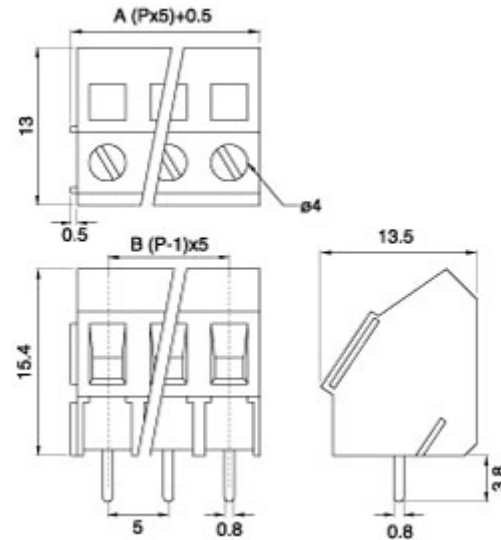


## TBT-50 Series Pitch 5mm

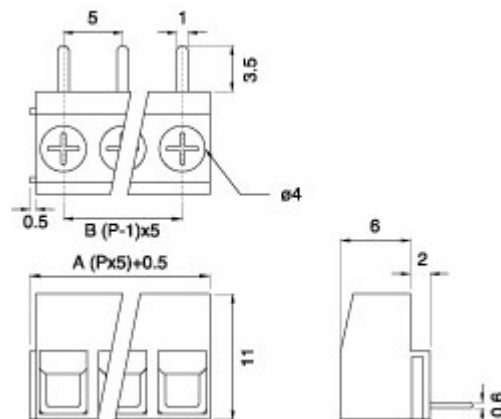
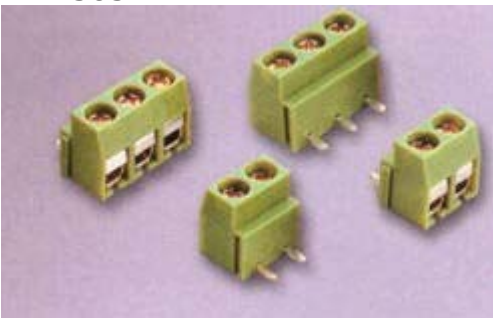
### TBT-503



### TBT-504

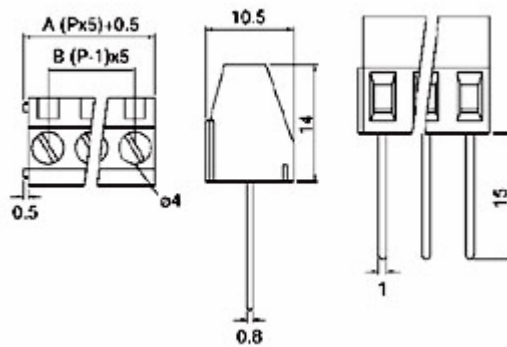


### TBT-505

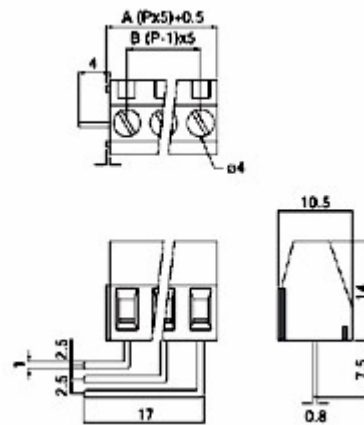


## TBT-50 Series Pitch 5mm

**TBT-506**



**TBT-506R**



**TBT-506L**

