

## TBI-20 Series Pitch 9.5mm

### Specifications

- Barrier Material: Thermoplastic (UL 94V-0), Black
- Terminals: Tin plated brass (Standard)
- Screws: Nickel plated steel
- Wire Range AWG: 14-22 STR
- Rating: 10 amperes, 250 VAC
- Insulation withstands voltage AC 2000V/MIN
- Insulation resistance 500MΩ or more at DC 500V

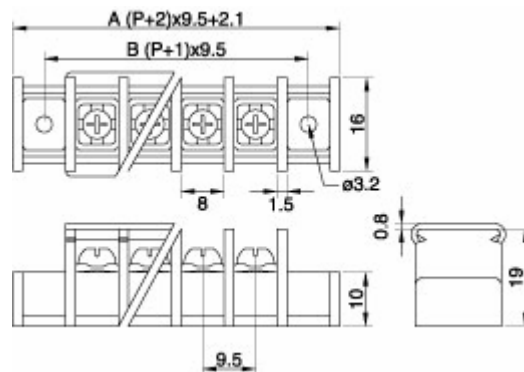
### How to Order (Ex. TBI-201-8PH-CS)

TBI-20	<input type="checkbox"/> -	<input type="checkbox"/>	P	<input type="checkbox"/> -	<input type="checkbox"/>	<input type="checkbox"/>
	<b>Part Number</b>	<b>2-32: Pole Size</b>		<b>H: With Mounting Holes (If Necessary) (Necessary for 200, 205)</b>	<b>C: With Cover</b>	<b>S: Plate</b>

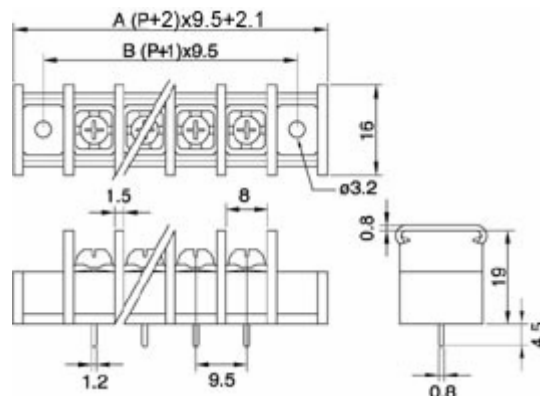
### Dimension: ±0.8m/m

POLE	TBI-20- <input type="checkbox"/> P	TBI-20- <input type="checkbox"/> PH
A	$(P \times 9.5) + 2.1$	$(P+2) \times 9.5 + 2.1$
B	$(P-1) \times 9.5$	$(P+1) \times 9.5$

### TBI-200

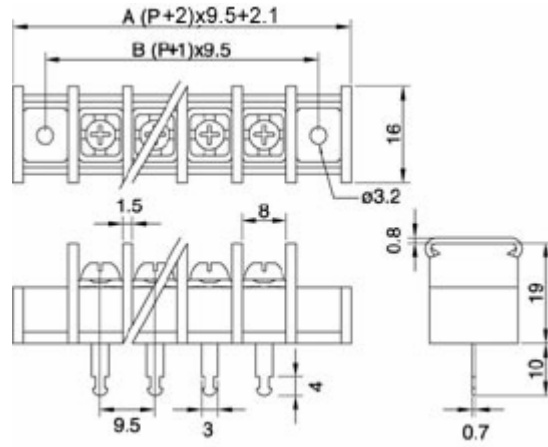
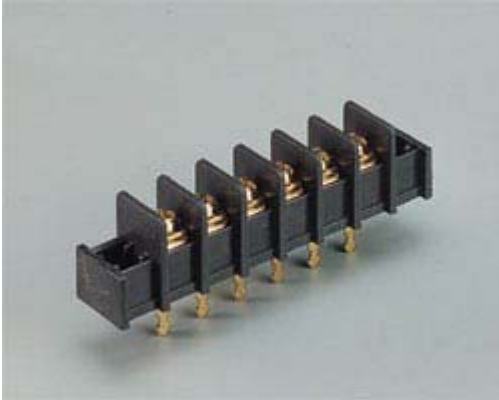


### TBI-201

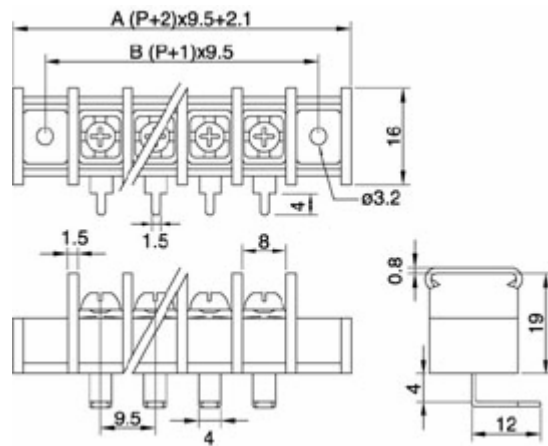
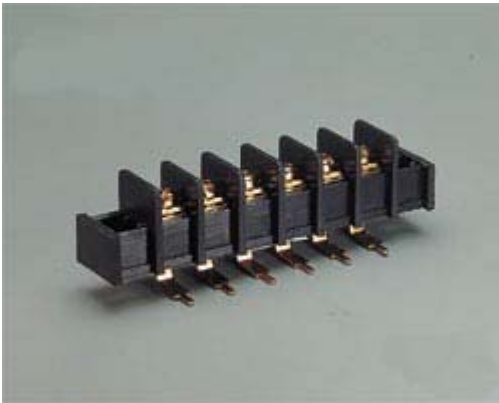


## TBI-20 Series Pitch 9.5mm

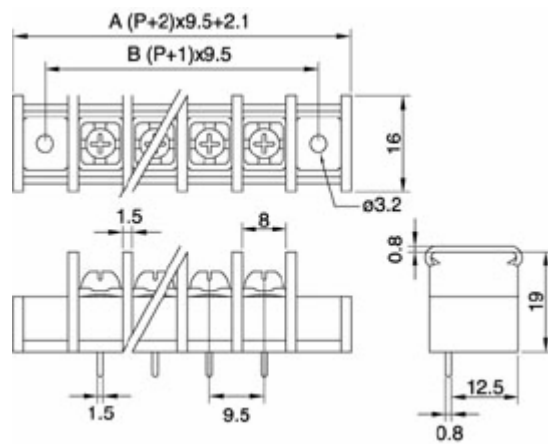
### TBI-202



### TBI-203

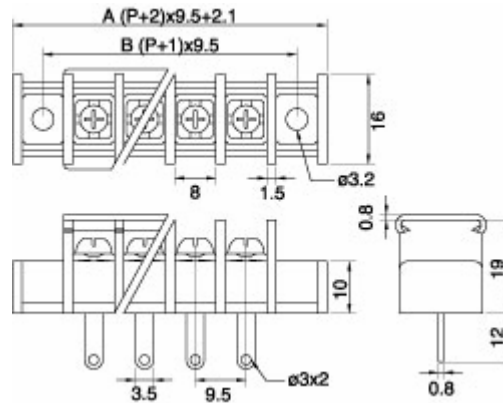
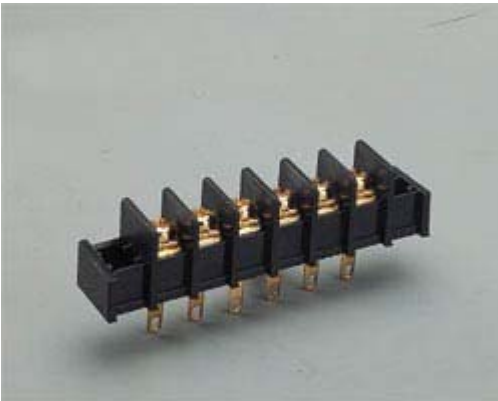


### TBI-204

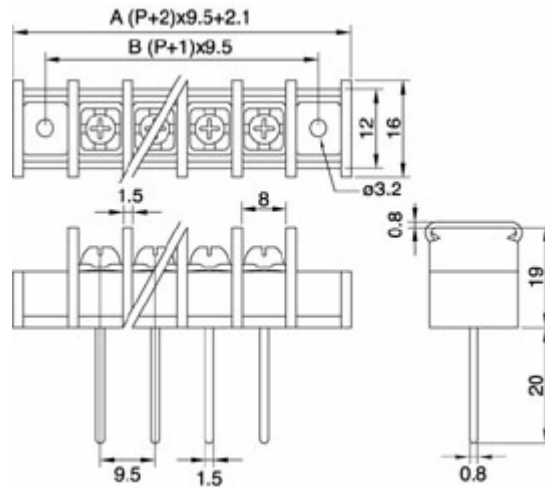
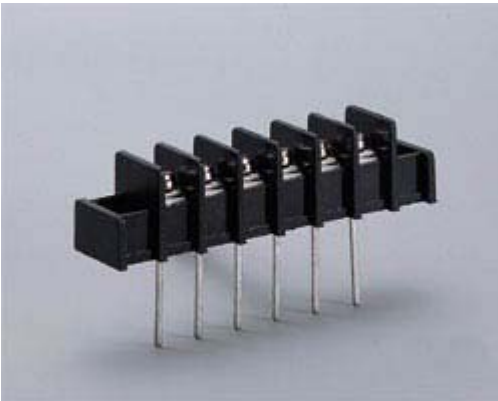


## TBI-20 Series Pitch 9.5mm

**TBI-205**



**TBI-206**



**TBI-207**

