

## TBF-80 Series Pitch 8.25mm

### Specifications

- Barrier Material: Thermoplastic (UL 94V-0), Black
- Terminals: Tin plated brass (Standard)
- Screws: Nickel plated steel
- Wire Range AWG: 16-22 STR
- Rating: 15 amperes, 300 VAC
- Insulation withstands voltage AC 2000V/MIN
- Insulation resistance 500MΩ or more at DC 500V

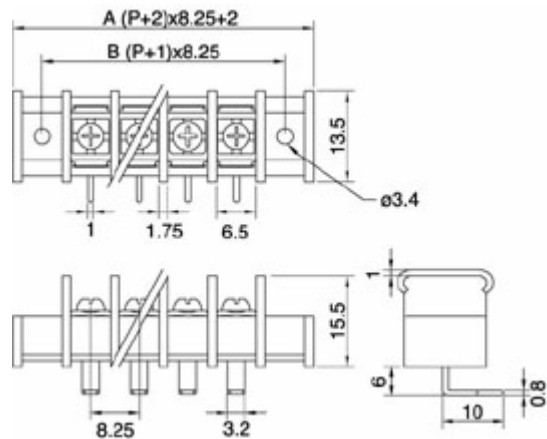
### How to Order (Ex. TBF-801-8PH-CS)

TBF-80	<input type="checkbox"/> -	<input type="checkbox"/>	P	<input type="checkbox"/> -	<input type="checkbox"/>	<input type="checkbox"/>
	<b>Part Number</b>	<b>2-27: Pole Size</b>		<b>H: With Mounting Holes (If Necessary) (Necessary for 803)</b>	<b>C: With Cover</b>	<b>S: Plate</b>

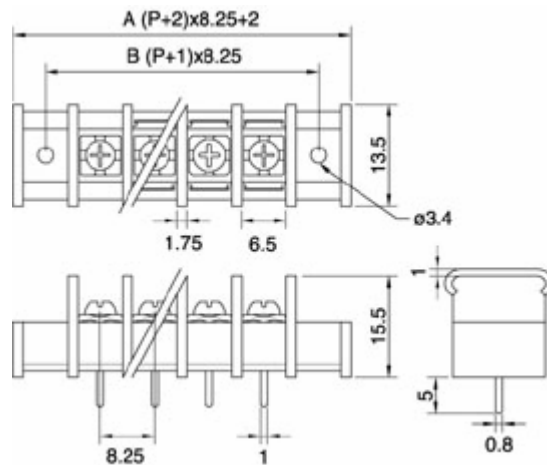
### Dimension: ±0.8m/m

POLE	TBF-80- <input type="checkbox"/> P	TBF-80- <input type="checkbox"/> PH
A	$(P \times 8.25) + 2$	$(P+2) \times 8.25 + 2$
B	$(P-1) \times 8.25$	$(P+1) \times 8.25$

### TBF-801

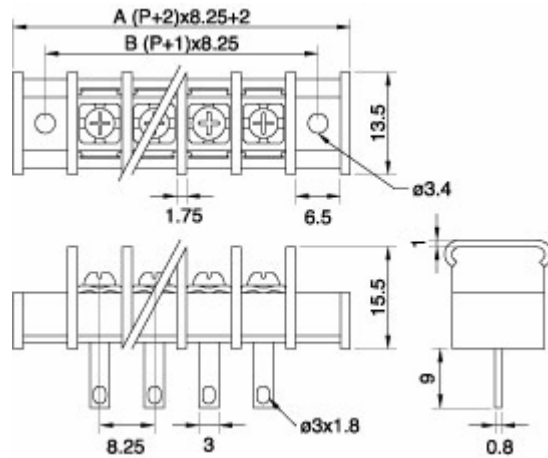
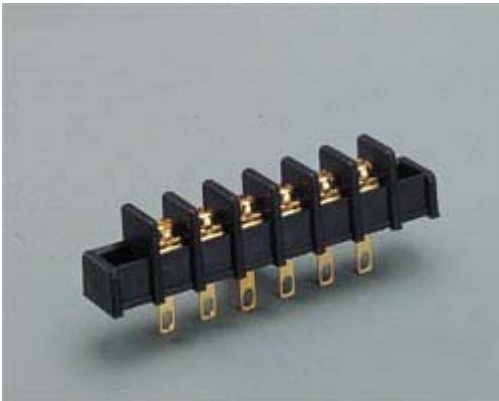


### TBF-802

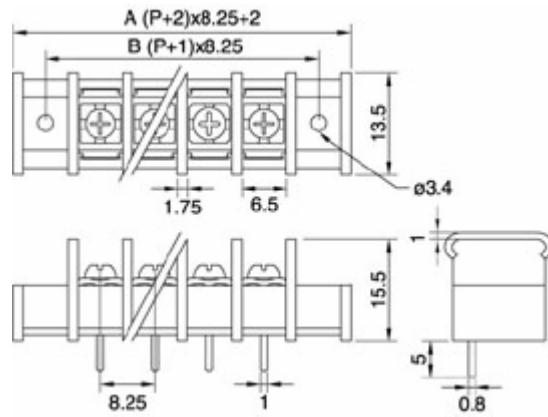
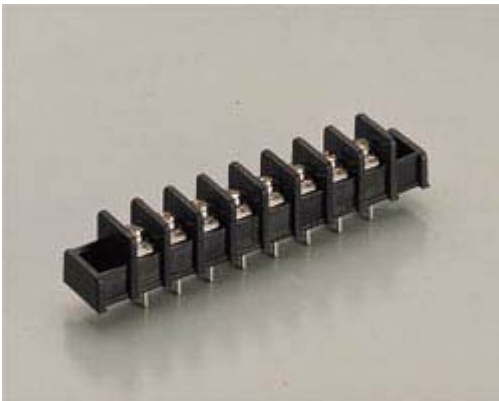


## TBF-80 Series Pitch 8.25mm

TBF-803



TBF-804



TBF-805

