

TBF-70 Series Pitch 7.62mm

Specifications

- Barrier Material: Thermoplastic (UL 94V-0), Black
- Terminals: Tin plated brass (Standard)
- Screws: Nickel plated steel
- Wire Range AWG: 18-22 STR
- Rating: 10 amperes, 300 VAC
- Insulation withstands voltage AC 2000V/MIN
- Insulation resistance 500MΩ or more at DC 500V

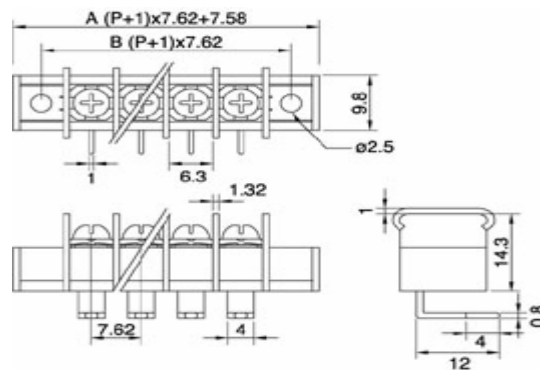
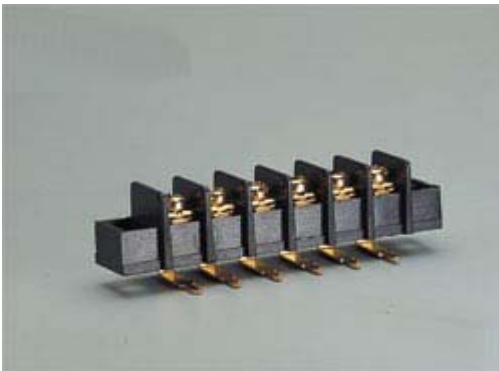
How to Order (Ex. TBF-701-8PH-CS)

TBF-70	<input type="checkbox"/> -	<input type="checkbox"/>	P	<input type="checkbox"/> -	<input type="checkbox"/>	<input type="checkbox"/>
	Part Number	2-27: Pole Size		H: With Mounting Holes (If Necessary) (Necessary for 602)	C: With Cover	S: Plate

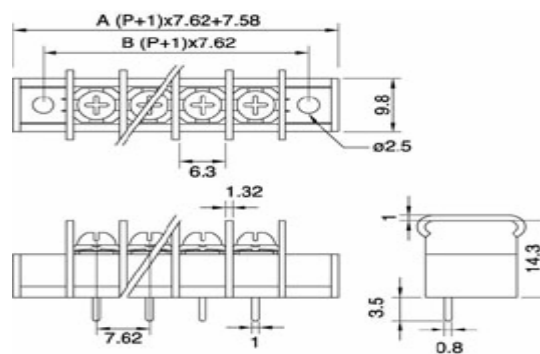
Dimension: ±0.8m/m

POLE	TBF-70- <input type="checkbox"/> P	TBF-70- <input type="checkbox"/> PH
A	$(P \times 7.62) + 1.152$	$(P+2) \times 7.62 + 0.04$
B	$(P-1) \times 7.62$	$(P+1) \times 7.62$

TBF-701

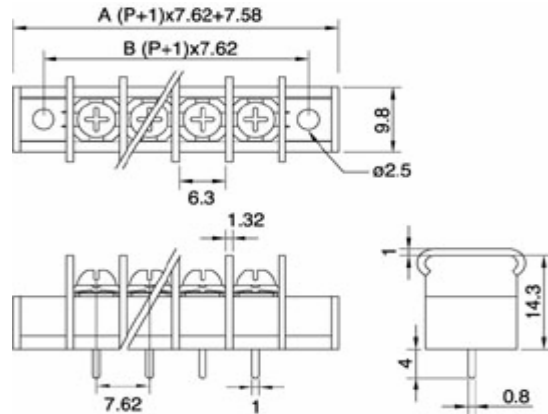


TBF-702

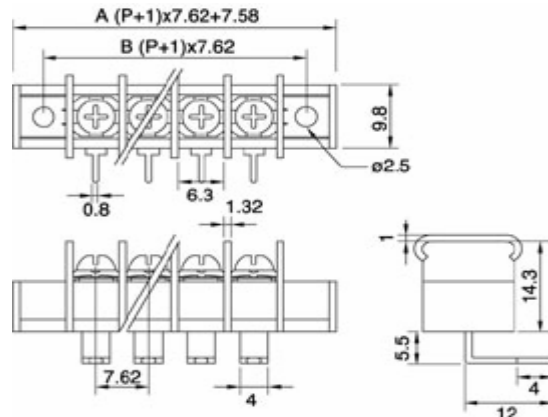


TBF-70 Series Pitch 7.62mm

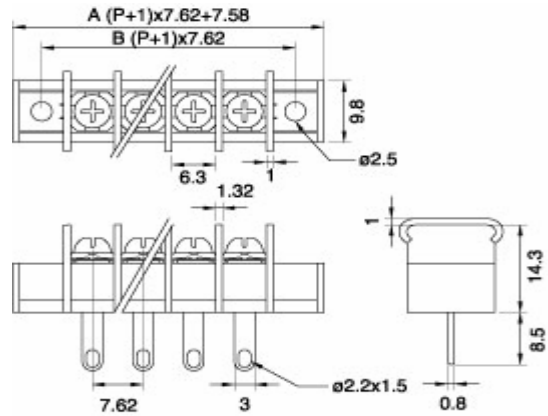
TBF-703



TBF-704

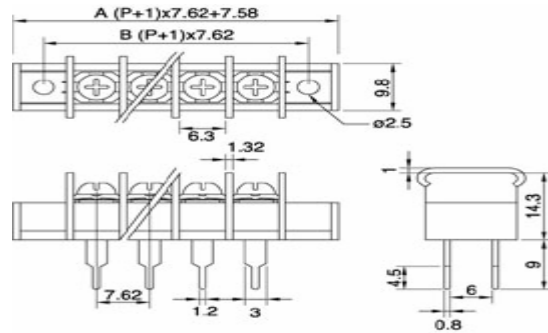
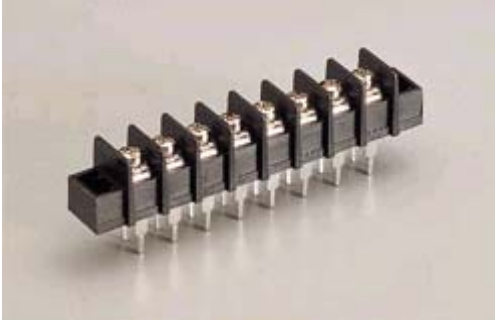


TBF-705

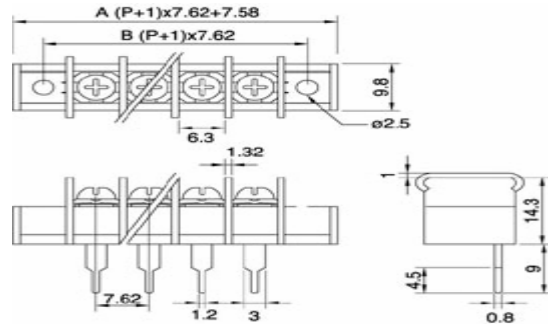
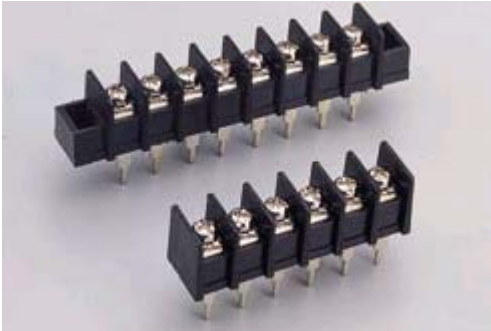


TBF-70 Series Pitch 7.62mm

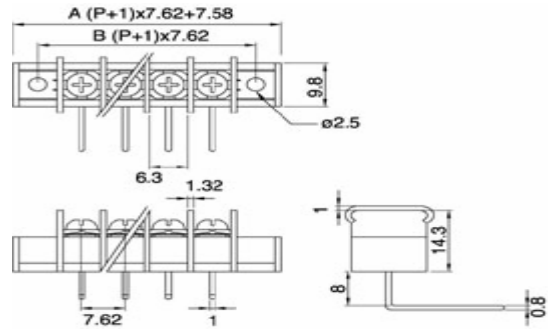
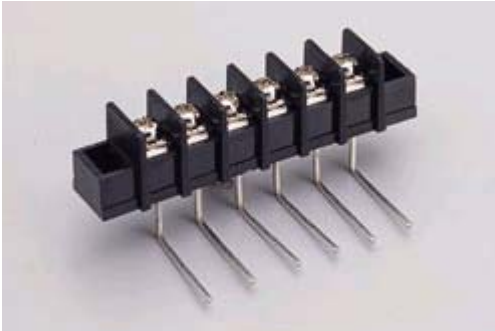
TBF-706



TBF-707



TBF-708



TBF-709

