

TBF-10 Series Pitch 10mm

Specifications

- Barrier Material: Phenol, Black
- Terminals: Tin plated brass (Standard)
- Screws: Nickel plated steel
- Wire Range AWG: 14-22 STR
- Rating: 15 amperes, 300 VAC
- Insulation withstands voltage AC 2000V/MIN
- Insulation resistance 500MΩ or more at DC 500V

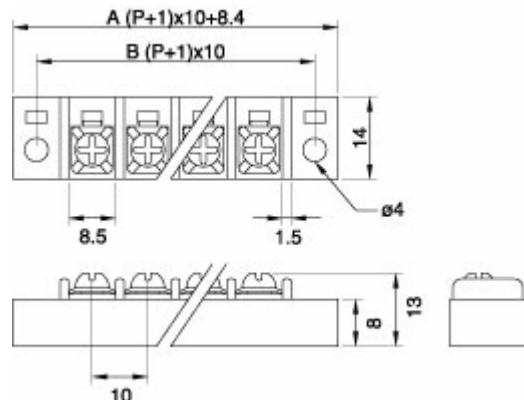
How to Order (Ex. TBF-10A-8PH-S)

TBF-10	<input type="checkbox"/> -	<input type="checkbox"/>	P	<input type="checkbox"/> -	<input type="checkbox"/>
	Part Number	2-26: Pole Size		H: With Mounting Holes (If Necessary) (Necessary for Z, D, E, F, G, H)	S: Plate

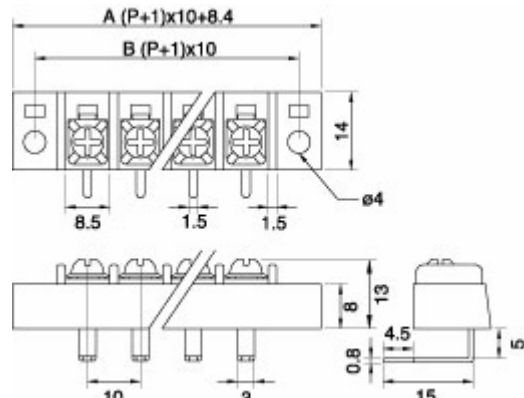
Dimension: ±0.8m/m

POLE	TBF-10- <input type="checkbox"/> P	TBF-10- <input type="checkbox"/> PH
A	$(P \times 10) + 1.8$	$(P + 2) \times 10 + 1.8$
B	$(P - 1) \times 10$	$(P + 1) \times 10$

TBF-10Z

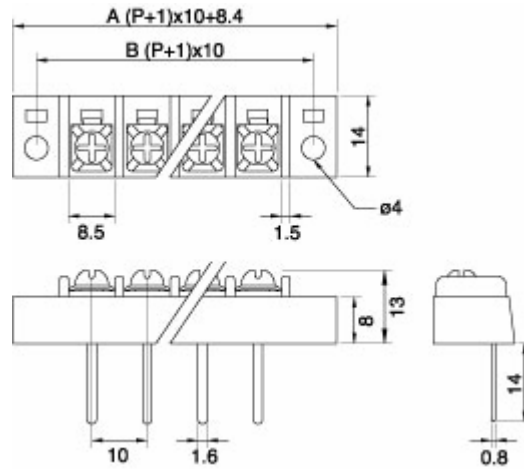
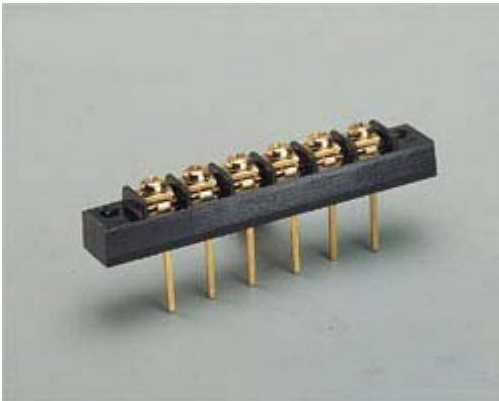


TBF-10A

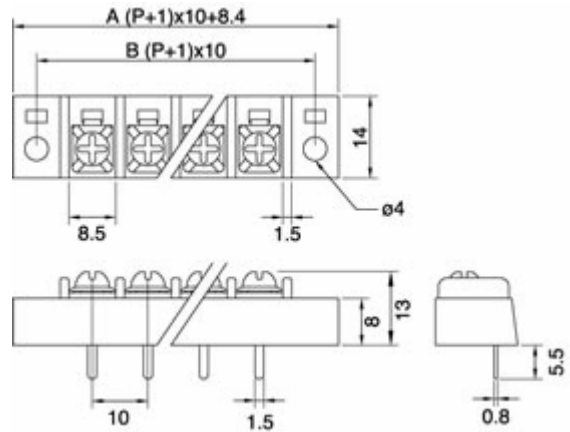


TBF-10 Series Pitch 10mm

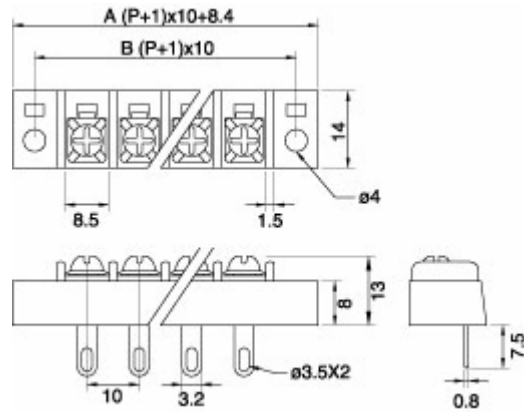
TBF-10B



TBF-10C

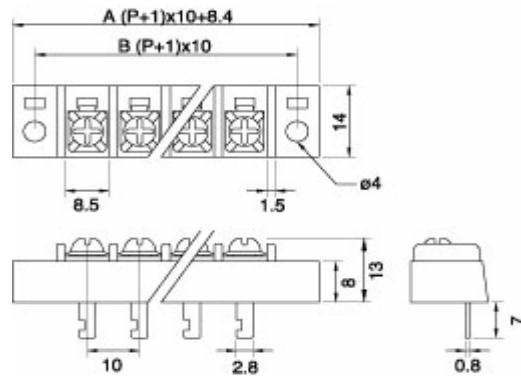


TBF-10D

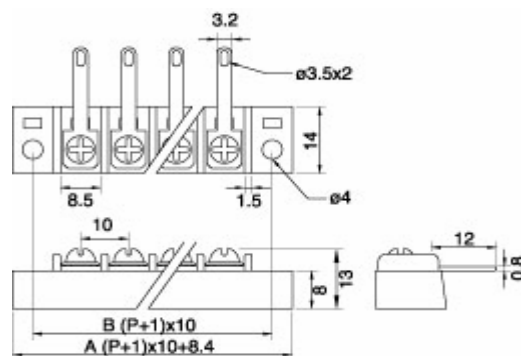


TBF-10 Series Pitch 10mm

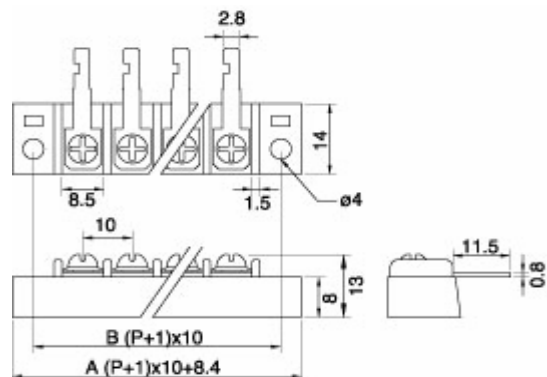
TBF-10E



TBF-10F



TBF-10G



TBF-10H

