

TBB-95 Series Pitch 9.5mm

Specifications

- Barrier Material: Thermoplastic (UL 94V-0), Black
- Terminals: Tin plated brass (Standard)
- Screws: Nickel plated steel
- Wire Range AWG: 18-22 STR
- Rating: 10 amperes, 250 VAC
- Insulation withstands voltage AC 2000V/MIN
- Insulation resistance 500MΩ or more at DC 500V

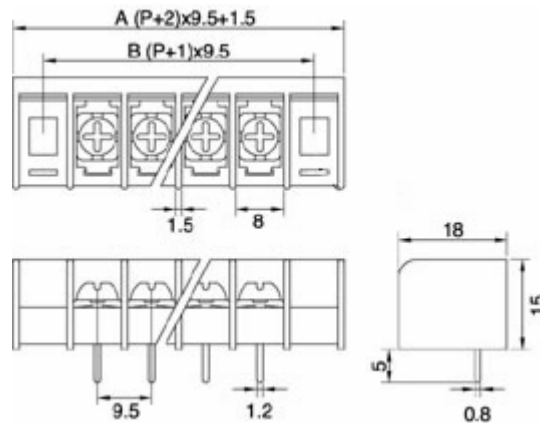
How to Order (Ex. TBB-951-8PH-S)

TBB-951	<input type="checkbox"/> -	<input type="checkbox"/>	P	<input type="checkbox"/> -	<input type="checkbox"/>
	Part Number	2-32: Pole Size		H: With Mounting Holes (If Necessary) (Necessary for 953)	S: Plate

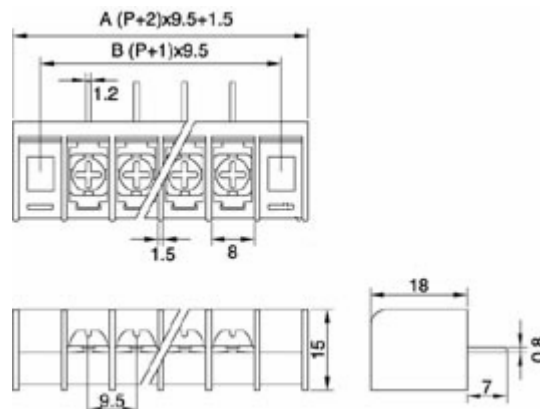
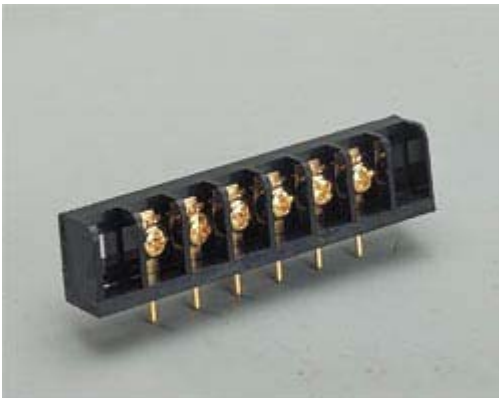
Dimension: ±0.8m/m

POLE	TBB-95- <input type="checkbox"/> P	TBB-95- <input type="checkbox"/> PH
A	$(P \times 9.5) + 1.5$	$(P+2) \times 9.5 + 1.56$
B	$(P-1) \times 9.5$	$(P+1) \times 9.5$

TBB-951

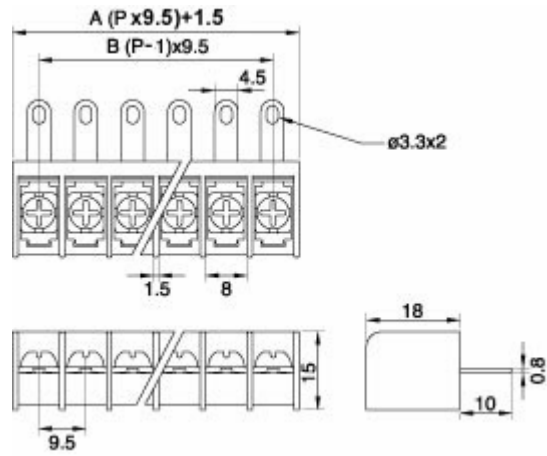


TBB-952

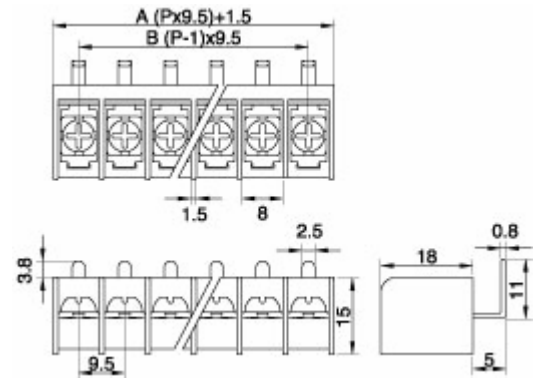


TBB-95 Series Pitch 9.5mm

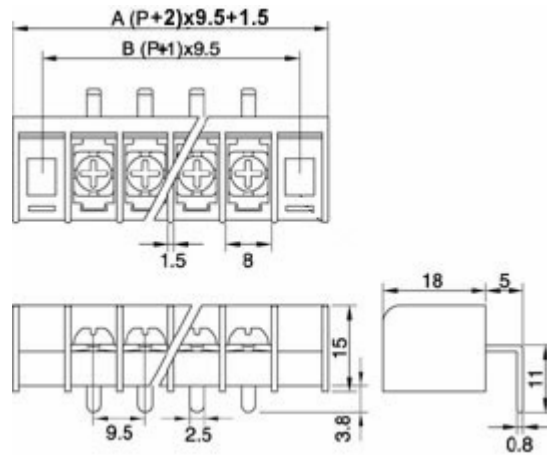
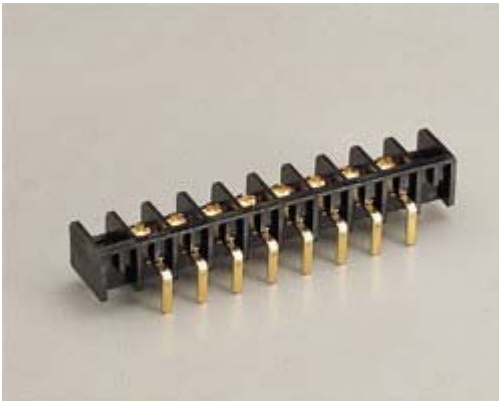
TBB-953



TBB-954

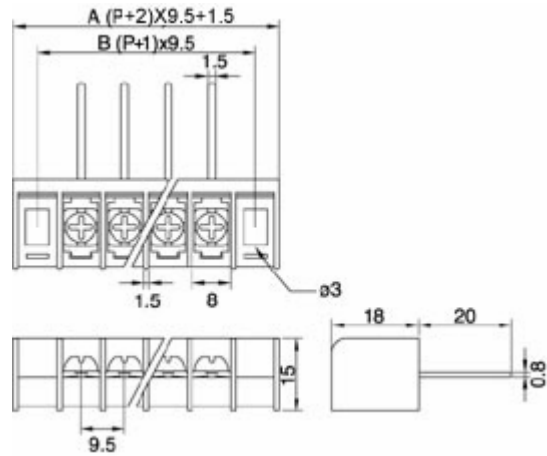
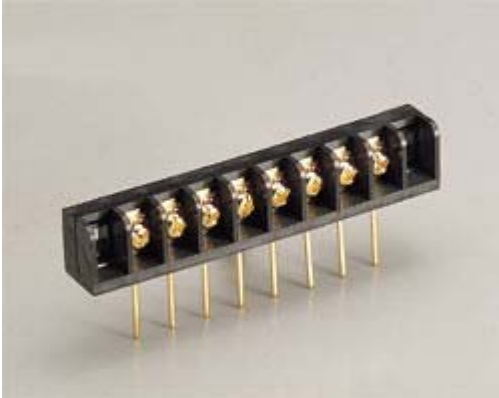


TBB-955

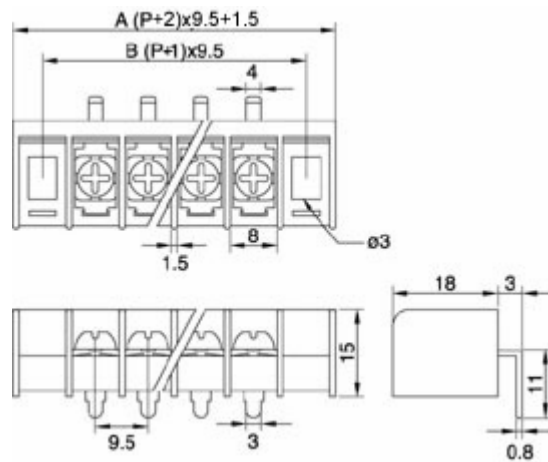
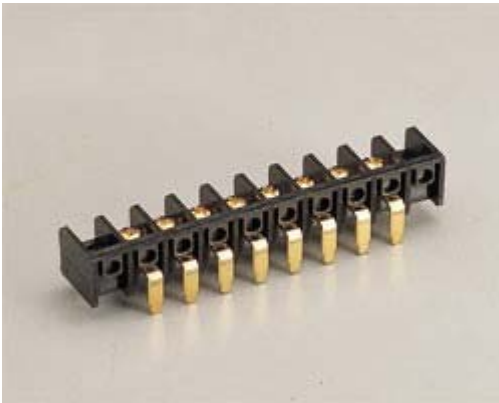


TBB-95 Series Pitch 9.5mm

TBB-956



TBB-957



TBB-958

