

TBA-52 Series Pitch 5mm

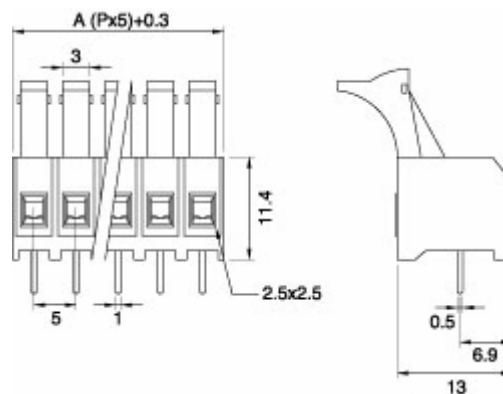
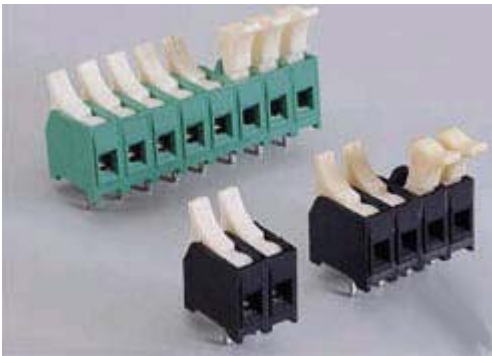
Features

- Screwdriverless. Need no special tools
- Choice of flat or thumb grip levers
- Superior anti-shock contact design
- Available in multi-poles from 2 thru 20

Specifications

- Body Material: Thermoplastic (UL 94V-0), Green
- Terminals: Tin plated brass
- Cam Lever: Thermoplastic (UL 94V-0), White
- Wire Range AWG: 18-22 STR
- Rating: 10 amperes, 300 VAC
- Insulation withstands voltage AC 2000V/MIN
- Insulation resistance 500MΩ or more at DC 500V

TBA-521



TBA-522

