

## TB-83 Series Pitch 8.25mm

### Specifications

- Barrier Material: Thermoplastic (UL 94V-0), Black
- Terminals: Tin plated brass (Standard)
- Screws: Nickel plated steel
- Wire Range AWG: 14-18 STR
- Rating: 15 amperes, 300 VAC
- Insulation withstands voltage AC 2000V/MIN
- Insulation resistance 500MΩ or more at DC 500V

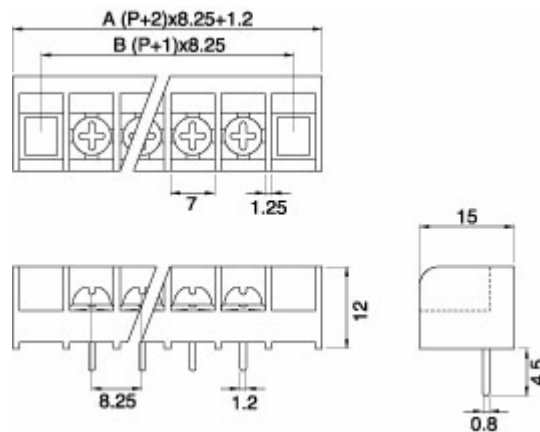
### How to Order (Ex. TB-831-8PH-S)

TB-831	<input type="checkbox"/> -	<input type="checkbox"/>	P	<input type="checkbox"/> -	<input type="checkbox"/>
	<b>Part Number</b>	<b>2-32: Pole Size</b>		<b>H: With Mounting Holes (If Necessary) (Necessary for 833)</b>	<b>S: Plate</b>

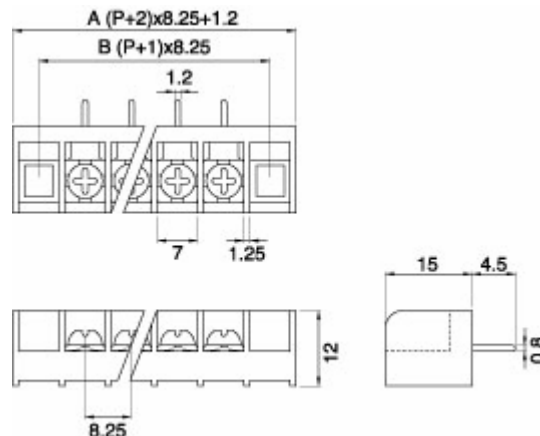
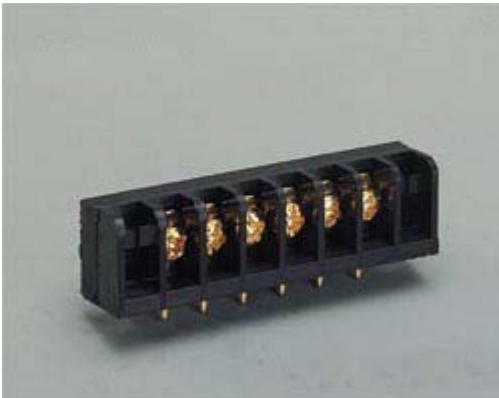
### Dimension: ±0.8m/m

POLE	TB-83- <input type="checkbox"/> P	TB-83- <input type="checkbox"/> PH
A	$(P \times 8.25) + 1.2$	$(P+2) \times 8.25 + 1.2$
B	$(P-1) \times 8.25$	$(P+1) \times 8.25$

### TB-831

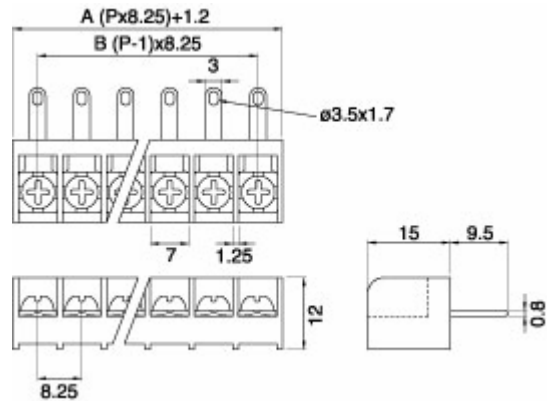


### TB-832

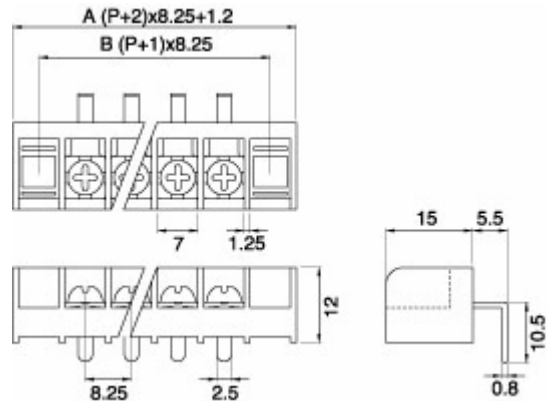
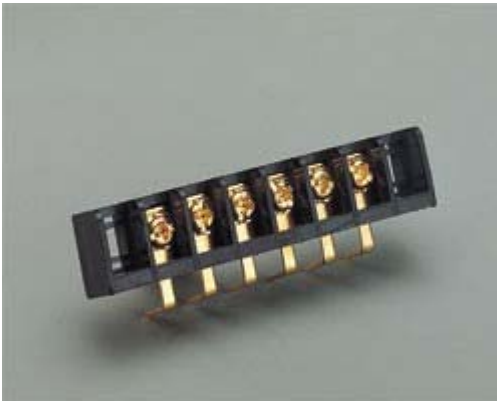


## TB-83 Series Pitch 8.25mm

**TB-833**



**TB-834**



**TB-835**

