

## TB-61 Series Pitch 6.35mm

### Specifications

- Barrier Material: Thermoplastic (UL 94V-0), Black
- Terminals: Tin plated brass (Standard)
- Screws: Nickel plated steel
- Wire Range AWG: 18-22 STR
- Rating: 13 amperes, 250 VAC
- Insulation withstands voltage AC 2000V/MIN
- Insulation resistance 500MΩ or more at DC 500V

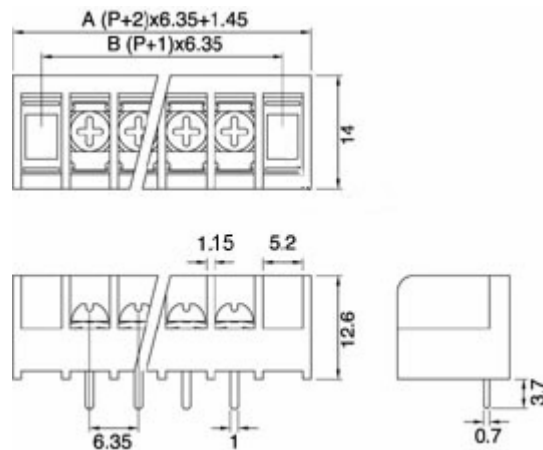
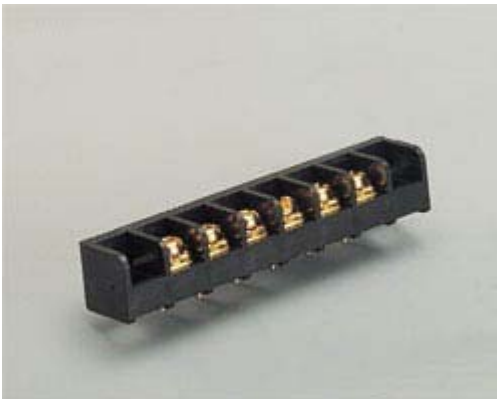
### How to Order (Ex. TB-611-8PH-S)

TB-61	<input type="checkbox"/> -	<input type="checkbox"/>	P	<input type="checkbox"/> -	<input type="checkbox"/>
	<b>Part Number</b>	<b>2-32: Pole Size</b>		<b>H: With Mounting Holes (If Necessary) (Necessary for 613)</b>	<b>S: Plate</b>

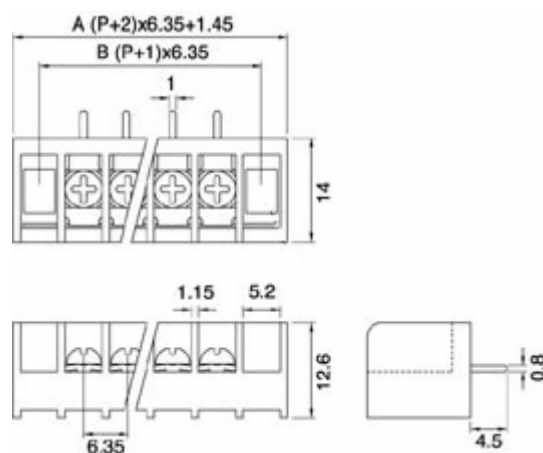
### Dimension: ±0.8m/m

POLE	TB-61- <input type="checkbox"/> P	TB-61- <input type="checkbox"/> PH
A	$(P \times 6.35) + 1.45$	$(P+2) \times 6.35 + 1.45$
B	$(P-1) \times 6.35$	$(P+1) \times 6.35$

### TB-611

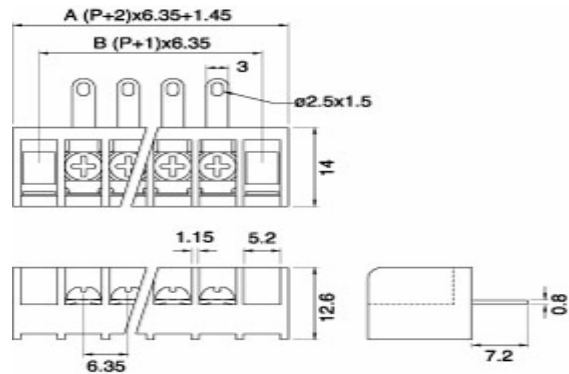


### TB-612

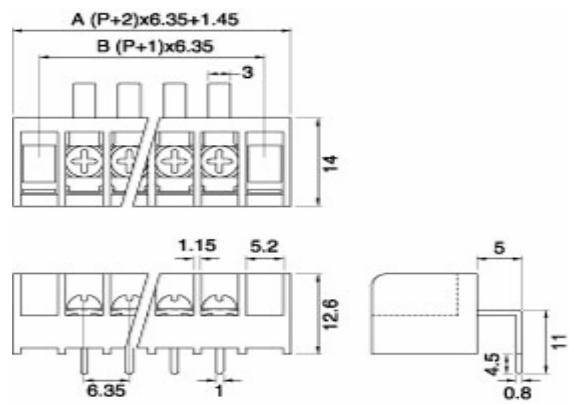
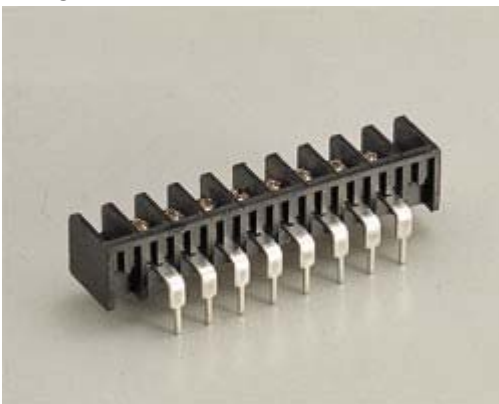


## TB-61 Series Pitch 6.35mm

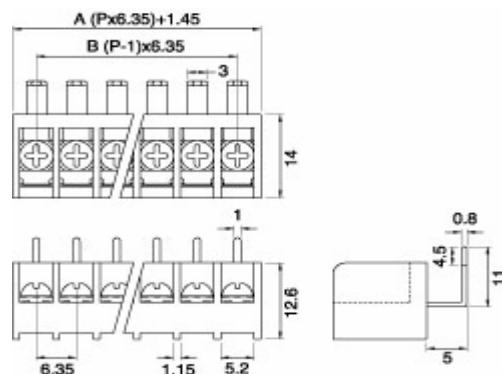
**TB-613**



**TB-614**



**TB-615**



**TB-616**

