

TB-60 Series Pitch 6.35mm

Specifications

- Barrier Material: Thermoplastic (UL 94V-0), Black
- Terminals: Tin plated brass (Standard)
- Screws: Nickel plated steel
- Wire Range AWG: 18-22 STR
- Rating: 10 amperes, 300 VAC
- Insulation withstands voltage AC 2000V/MIN
- Insulation resistance 500MΩ or more at DC 500V

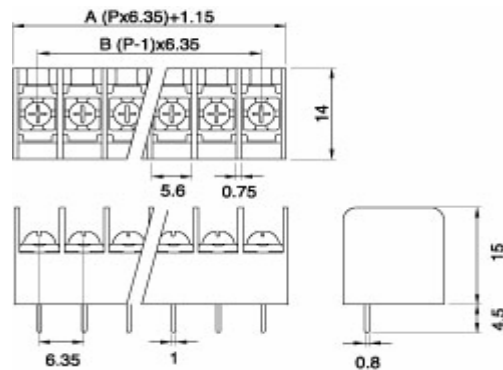
How to Order (Ex. TB-601-8PH-CS)

TB-60	<input type="checkbox"/> -	<input type="checkbox"/>	P	<input type="checkbox"/> -	<input type="checkbox"/>	<input type="checkbox"/>
	Part Number	2-27: Pole Size		H: With Mounting Holes (If Necessary) (Necessary for 602)	C: With Cover	S: Plate

Dimension: ±0.8m/m

POLE	TB-60- <input type="checkbox"/> P	TB-60- <input type="checkbox"/> PH
A	$(P \times 6.35) + 1.15$	$(P+2) \times 6.35 + 1.15$
B	$(P-1) \times 6.35$	$(P+1) \times 6.35$

TB-601



TB-602

